



## 3.5mm Male to 3.5mm Female Test Cable 72 Inch Length Using VNA Test Cable Coax, LF Solder, RoHS

### RF Cable Assemblies Technical Data Sheet

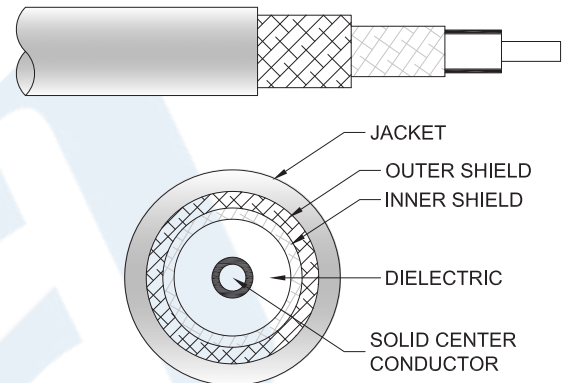
PE317-72

#### Configuration

- Connector 1: 3.5mm Male
- Connector 2: 3.5mm Female
- Cable Type: VNA Cable

#### Features

- Max Frequency 26.5 GHz
- 77% Phase Velocity
- Double Shielded
- FEP Jacket



#### Applications

- General Purpose
- Test & Measurement
- Laboratory Use

#### Description

Pasternack's PE317-72 3.5mm male to 3.5mm female test 72 inch cable using VNA test cable coax is part of our full line of RF components available for same-day shipping. Pasternack's flexible RF cable assemblies are ideal for applications where tight bends and flexure are required. This Pasternack 3.5mm to 3.5mm cable assembly has a male to female gender configuration with 50 ohm flexible VNA cable coax. The PE317-72 3.5mm male to 3.5mm female cable assembly operates to 26.5 GHz. The double shielding of this Pasternack cable assembly provides excellent shielding effectiveness.

Custom versions of most RF cable assemblies can be built and shipped same day. Custom cable assembly lengths can be obtained by specifying the desired length on the web site at time of order or by contacting a sales representative. Other available RF cable assembly value added services include connector orientation or clocking, heat shrink booting and custom labeling. RF testing can also be performed to document the electrical performance of your cable assembly.

#### Electrical Specifications

Description	Minimum	Typical	Maximum	Units
Frequency Range	DC		26.5	GHz
Return Loss			-18	dB
Velocity of Propagation		77		%
Dielectric Withstanding Voltage (AC)			1,000	Vrms

Click the following link (or enter part number in "SEARCH" on website) to obtain additional part information including price, inventory and certifications: [3.5mm Male to 3.5mm Female Test Cable 72 Inch Length Using VNA Test Cable Coax, LF Solder, RoHS PE317-72](#)



## 3.5mm Male to 3.5mm Female Test Cable 72 Inch Length Using VNA Test Cable Coax, LF Solder, RoHS

### RF Cable Assemblies Technical Data Sheet

PE317-72

#### Specifications by Frequency

Description	F1	F2	F3	F4	F5	Units
Frequency	1	10	18	26.5		GHz
Insertion Loss (Max.)	0.48	1.74	2.4	3		dB
Return Loss (Max.)	-30	-25	-20	-18		dB
Power Handling (Max.)		286				Watts

#### Electrical Specification Notes:

Shielding effectiveness > 100 dB at 1 GHz.

Insertion loss does not include the loss of the connectors.

Insertion loss is estimated as  $0.05 \times \sqrt{f(\text{GHz})}$  dB per connector.

#### Mechanical Specifications

##### Cable Assembly

Length*	72 in [182.88 cm]
Diameter	0.47 in [11.94 mm]
Weight	1.1 lbs [498.95 g]

##### Cable

Cable Type	VNA Cable
Impedance	50 Ohms
Inner Conductor Type	Solid
Inner Conductor Material and Plating	Copper, Silver
Dielectric Type	PTFE
Number of Shields	2
Shield Layer 1	Silver Plated Copper Tape
Shield Layer 2	Silver Plated Copper Braid
Jacket Material	FEP

Repeated Minimum Bend Radius	1.38 in [35.05 mm]
Typical Flex Cycles	10,000

Click the following link (or enter part number in "SEARCH" on website) to obtain additional part information including price, inventory and certifications: [3.5mm Male to 3.5mm Female Test Cable 72 Inch Length Using VNA Test Cable Coax, LF Solder, RoHS PE317-72](#)



## 3.5mm Male to 3.5mm Female Test Cable 72 Inch Length Using VNA Test Cable Coax, LF Solder, RoHS

### RF Cable Assemblies Technical Data Sheet

PE317-72

#### Connectors

Description	Connector 1	Connector 2
Type	3.5mm Male	3.5mm Female
Specification	MIL-STD-348	MIL-STD-348
Impedance	50 Ohms	50 Ohms
Contact Material and Plating	Gold	Gold
Dielectric Type	PPO	PPO
Outer Conductor Material and Plating		Passivated Stainless Steel
Body Material and Plating	Passivated Stainless Steel	
Coupling Nut Material and Plating	Passivated Stainless Steel	
Hex Size	5/16 inch	
Torque	8 in-lbs [0.9 Nm]	

#### Mechanical Specification Notes:

\*All cable assemblies have a length tolerance of 1.5% or  $\pm 3/8$ ", whichever is greater.

#### Environmental Specifications

##### Temperature

Operating Range -55 to +165 deg C

#### Compliance Certifications (see [product page](#) for current document)

#### Plotted and Other Data

##### Notes:

- Values at 25°C, sea level.

Click the following link (or enter part number in "SEARCH" on website) to obtain additional part information including price, inventory and certifications: [3.5mm Male to 3.5mm Female Test Cable 72 Inch Length Using VNA Test Cable Coax, LF Solder, RoHS PE317-72](#)



## 3.5mm Male to 3.5mm Female Test Cable 72 Inch Length Using VNA Test Cable Coax, LF Solder, RoHS

### RF Cable Assemblies Technical Data Sheet

PE317-72

#### How to Order

Part Number Configuration:

PE317

- xx

uu

Unit of Measure:

cm = Centimeters

<blank> = Inches

Length

Base Number

Example: PE317-12 = 12 inches long cable  
PE317-100cm = 100 cm long cable

3.5mm Male to 3.5mm Female Test Cable 72 Inch Length Using VNA Test Cable Coax, LF Solder, RoHS from Pasternack Enterprises has same day shipment for domestic and International orders. Our RF, microwave and millimeter wave products maintain a 99% availability and are part of the broadest selection in the industry.

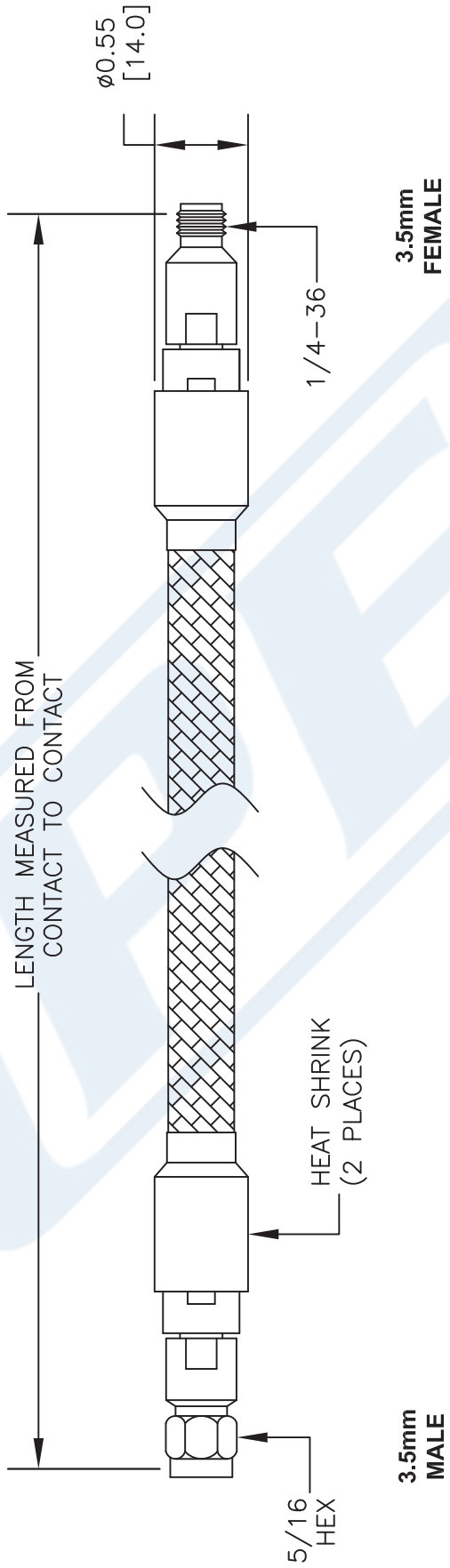
Click the following link (or enter part number in "SEARCH" on website) to obtain additional part information including price, inventory and certifications: [3.5mm Male to 3.5mm Female Test Cable 72 Inch Length Using VNA Test Cable Coax, LF Solder, RoHS PE317-72](https://www.pasternack.com/3.5mm-male-3.5mm-female-vna-cable-cable-assembly-pe317-72-p.aspx)

URL: <https://www.pasternack.com/3.5mm-male-3.5mm-female-vna-cable-cable-assembly-pe317-72-p.aspx>

The information contained in this document is accurate to the best of our knowledge and representative of the part described herein. It may be necessary to make modifications to the part and/or the documentation of the part, in order to implement improvements. Pasternack reserves the right to make such changes as required. Unless otherwise stated, all specifications are nominal. Pasternack does not make any representation or warranty regarding the suitability of the part described herein for any particular purpose, and Pasternack does not assume any liability arising out of the use of any part or documentation.

# PE317-72 CAD Drawing

3.5mm Male to 3.5mm Female Test Cable 72 Inch Length  
Using VNA Test Cable Coax, LF Solder, RoHS



STANDARD TOLERANCES	
.X	±0.2
.XX	±0.1
.XXX	±0.05

\*STANDARD TOLERANCES APPLY ONLY TO DIMENSIONS IN INCHES

NOTES:  
 1. UNLESS OTHERWISE SPECIFIED ALL DIMENSIONS ARE NOMINAL.  
 2. ALL SPECIFICATIONS ARE SUBJECT TO CHANGE WITHOUT NOTICE AT ANY TIME.  
 3. DIMENSIONS ARE IN INCHES [mm].

DWG TITLE	
<b>PE317</b>	
FSCM NO. 53919	CAD FILE 110816
SCALE N/A	SIZE A
41742	

**PE PASTERNAK®**  
 THE ENGINEER'S RF SOURCE  
 Pasternack Enterprises, Inc.  
 P.O. Box 16759 | Irvine | CA | 92623  
 Phone: (949) 261-1920 | Fax: (949) 261-7451  
 Website: www.pasternack.com | E-Mail: sales@pasternack.com