



Low PIM 3 Way N Equal-Tapper High Power From 376 MHz to 2.2 GHz Rated at 500 Watts

RF Tap Power Dividers Technical Data Sheet

PE20DV1040

Features

- Low PIM (-155 dBc)
- 500 watt CW Rating
- 376 to 2,200 MHz
- High Power
- N Female Connector
- Mounting Bracket

Applications

- Indoor/Outdoor Use (IP65)
- Base Station
- 4G/LTE/AWS/PCS/PMR/UMTS/TETRA/WiFi/WiMAX
- Distributed Antenna Systems (DAS)
- Wireless Infrastructure

Description

The PE20DV1040 is a High Power Equal Power Tapper with N Female connectors rated to 500 watt CW. Insertion loss is a low 0.1 dB.

Pasternack's family of Low PIM Equal Power Tappers (Tap Power Dividers) are designed without solder joints and a unique construction allows for exceptional performance within the 600 to 2,200 MHz frequency range. They are offered in a range of output port options to allow flexibility in the design of your DAS system. Especially designed and manufactured for the rigors of low PIM systems, this family of Tappers is rated at an average power of 300 watt CW, and have PIM performance of -160 dBc or better. They can be used indoor or outdoor as they meet the moisture requirements of IP65. They are available in four different connector types: N, DIN 7-16, 4.3-10, and Mini DIN 4.1/9.5.

Electrical Specifications

Description	Minimum	Typical	Maximum	Units
Frequency Range	0.376		2.2	GHz
Impedance		50		Ohms
Insertion Loss		0.1		dB
Passive Intermodulation 2 x 20W @ 1900MHz		-155		dBc
Input Power (CW)			500	Watts
Input Power (Peak)			3	KWatts

Click the following link (or enter part number in "SEARCH" on website) to obtain additional part information including price, inventory and certifications: [Low PIM 3 Way N Equal-Tapper High Power From 376 MHz to 2.2 GHz Rated at 500 Watts PE20DV1040](#)



Low PIM 3 Way N Equal-Tapper High Power From
376 MHz to 2.2 GHz Rated at 500 Watts

RF Tap Power Dividers Technical Data Sheet

PE20DV1040

Specifications by Frequency

Description	F1	F2	F3	F4	F5	Units
Frequency Range	0.376 to 0.5	0.5 to 0.698	0.698 to 1	1 to 1.71	1.71 to 2.2	GHz
Input VSWR, Max	1.3:1	1.2:1		1.2:1		

Mechanical Specifications

Size

Length 9.92 in [251.97 mm]
 Width 2.89 in [73.41 mm]
 Height 1 in [25.4 mm]

Weight 1.053 lbs [477.63 g]

Housing Material and Plating Aluminum, Conversion Coating

Configuration

Package Type Connectorized
 Input Connector N Female
 Output Connector N Female

Environmental Specifications

Ingress Protection (IP) Rating IP67

Click the following link (or enter part number in "SEARCH" on website) to obtain additional part information including price, inventory and certifications: [Low PIM 3 Way N Equal-Tapper High Power From 376 MHz to 2.2 GHz Rated at 500 Watts PE20DV1040](#)



Low PIM 3 Way N Equal-Tapper High Power From 376 MHz to 2.2 GHz Rated at 500 Watts

RF Tap Power Dividers Technical Data Sheet

PE20DV1040

Compliance Certifications (see [product page](#) for current document)

Plotted and Other Data

Notes:

Low PIM 3 Way N Equal-Tapper High Power From 376 MHz to 2.2 GHz Rated at 500 Watts from Pasternack Enterprises has same day shipment for domestic and International orders. Our RF, microwave and millimeter wave products maintain a 99.4% availability and are part of the broadest selection in the industry.

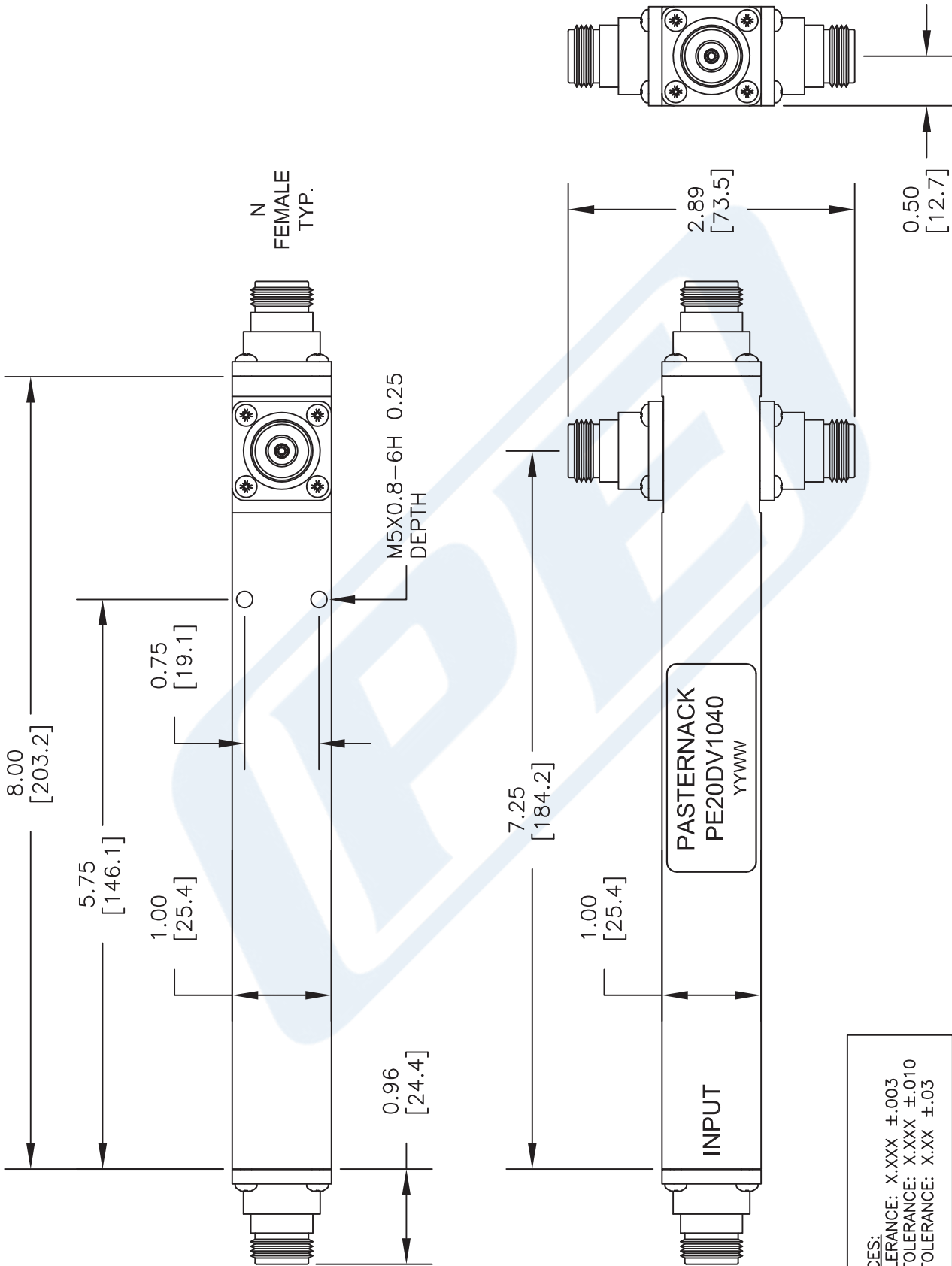
Click the following link (or enter part number in "SEARCH" on website) to obtain additional part information including price, inventory and certifications: [Low PIM 3 Way N Equal-Tapper High Power From 376 MHz to 2.2 GHz Rated at 500 Watts PE20DV1040](#)

URL: <https://www.pasternack.com/low-pim-3-way-n-equal-tapper-376-mhz-2.2-ghz-500watts-pe20dv1040-p.aspx>

The information contained in this document is accurate to the best of our knowledge and representative of the part described herein. It may be necessary to make modifications to the part and/or the documentation of the part, in order to implement improvements. Pasternack reserves the right to make such changes as required. Unless otherwise stated, all specifications are nominal. Pasternack does not make any representation or warranty regarding the suitability of the part described herein for any particular purpose, and Pasternack does not assume any liability arising out of the use of any part or documentation.

PE20DV1040 CAD Drawing

Low PIM 3 Way N Equal-Tapper High Power From
376 MHz to 2.2 GHz Rated at 500 Watts



TOLERANCES:
 HOLE TOLERANCE: X.XXX ±.003
 LENGTH TOLERANCE: X.XXX ±.010
 LENGTH TOLERANCE: X.XX ±.03

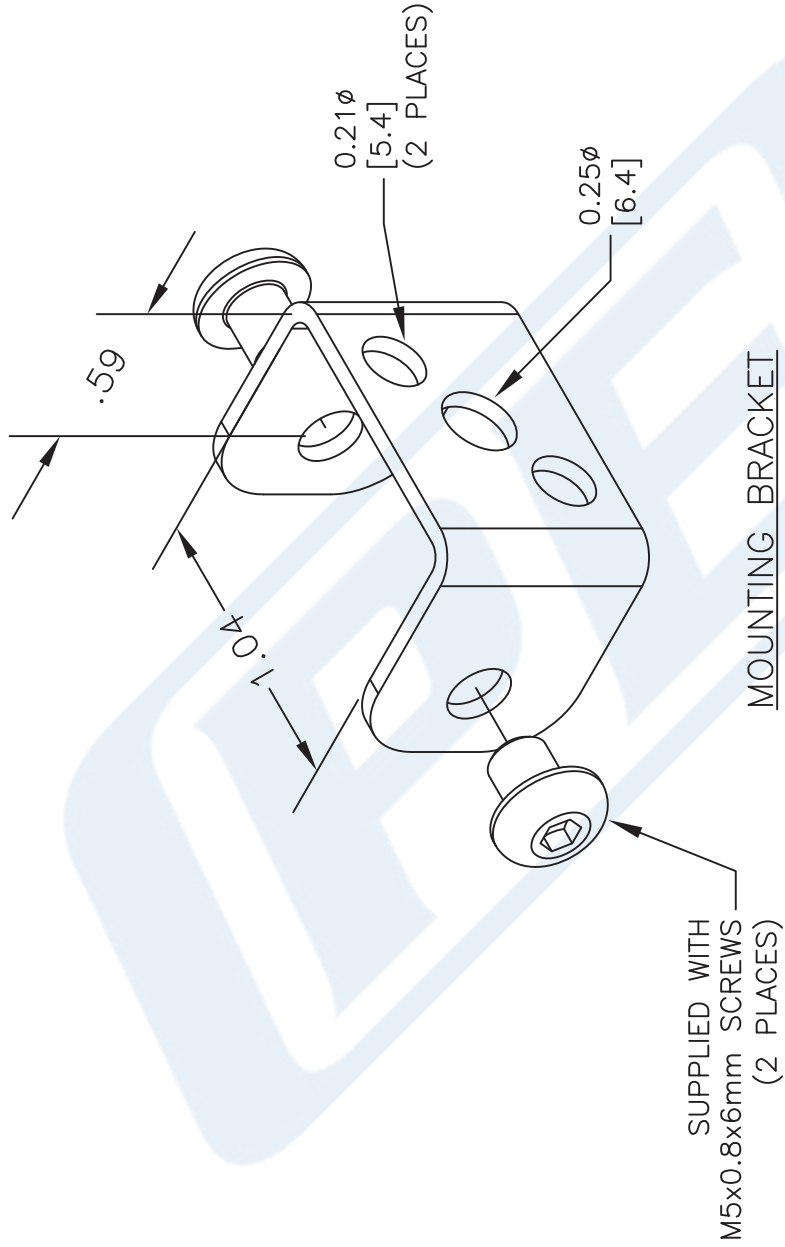
NOTES:
 1. UNLESS OTHERWISE SPECIFIED ALL DIMENSIONS ARE NOMINAL.
 2. ALL SPECIFICATIONS ARE SUBJECT TO CHANGE WITHOUT NOTICE AT ANY TIME.
 3. DIMENSIONS ARE IN INCHES [mm].

DWG TITLE
PE20DV1040
 CAGE CODE 53919
 CAD FILE 111516
 SCALE N/A
 SIZE A
 2233

PE PASTERNAK
 THE ENGINEER'S RF SOURCE
 Pasternack Enterprises, Inc.
 P.O. Box 16759 | Irvine | CA | 92623
 Phone: (949) 261-1920 | Fax: (949) 261-7451
 Website: www.pasternack.com | E-Mail: sales@pasternack.com

PE20DV1040 CAD Drawing

Low PIM 3 Way N Equal-Tapper High Power From
376 MHz to 2.2 GHz Rated at 500 Watts



TOLERANCES:
 HOLE TOLERANCE: X.XXX ±.003
 LENGTH TOLERANCE: X.XXX ±.010
 LENGTH TOLERANCE: X.XX ±.03

NOTES:
 1. UNLESS OTHERWISE SPECIFIED ALL DIMENSIONS ARE NOMINAL.
 2. ALL SPECIFICATIONS ARE SUBJECT TO CHANGE WITHOUT NOTICE AT ANY TIME.
 3. DIMENSIONS ARE IN INCHES [mm].

DWG TITLE
PE20DV1040

CAGE CODE 53919

SCALE N/A
 SIZE A
 2233

PE PASTERNAK®
 THE ENGINEER'S RF SOURCE
 Pasternack Enterprises, Inc.
 P.O. Box 16759 | Irvine | CA | 92623
 Phone: (949) 261-1920 | Fax: (949) 261-7451
 Website: www.pasternack.com | E-Mail: sales@pasternack.com