



30 MHz to 4 GHz N Bias Tee Rated To 2500 mA And 100 Volts DC

Bias Tees Technical Data Sheet

PE1614

Configuration

RF Port Connector	N Female
RF Port Connector Specification	MIL-STD-348
DC/RF Port Connector	N Female
DC/RF Port Connector Specification	MIL-STD-348
DC Port Connector	Solder Pin

Electrical Specifications

Description	Minimum	Typical	Maximum	Units
Frequency Range	0.03		4	GHz
Impedance		50		Ohms
VSWR			1.5:1	
DC Voltage			100	Vdc
DC Current			2,500	mA
Input Power (CW)			5	Watts

Mechanical Specifications

Size	
Length	2.4 in [60.96 mm]
Width	1 in [25.4 mm]
Height	1.3 in [33.02 mm]
Weight	0.151 lbs [68.49 g]

Compliance Certifications (see [product page](#) for current document)

Plotted and Other Data

Notes:

Click the following link (or enter part number in "SEARCH" on website) to obtain additional part information including price, inventory and certifications: [30 MHz to 4 GHz N Bias Tee Rated To 2500 mA And 100 Volts DC PE1614](#)

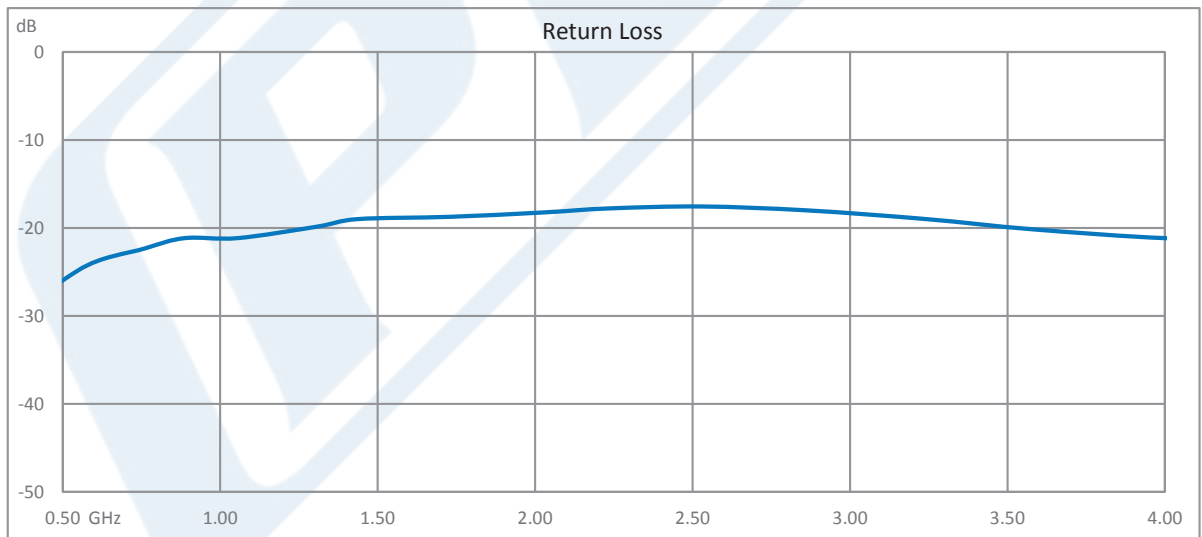
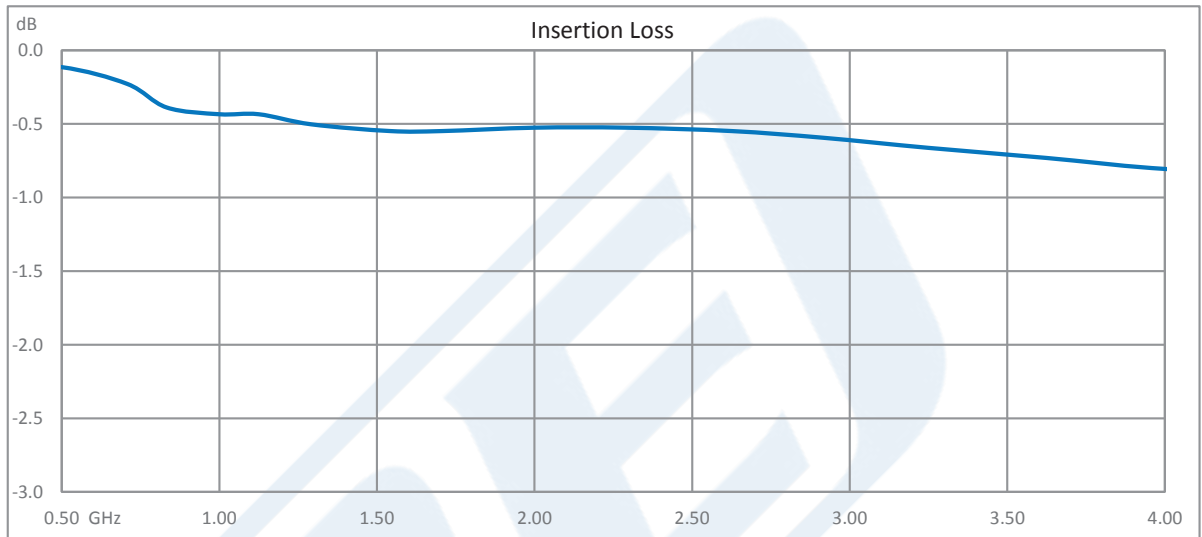


30 MHz to 4 GHz N Bias Tee Rated To 2500 mA And 100 Volts DC

Bias Tees Technical Data Sheet

PE1614

Typical Performance Data



Click the following link (or enter part number in "SEARCH" on website) to obtain additional part information including price, inventory and certifications: [30 MHz to 4 GHz N Bias Tee Rated To 2500 mA And 100 Volts DC PE1614](#)



30 MHz to 4 GHz N Bias Tee Rated To 2500 mA And 100 Volts DC

Bias Tees Technical Data Sheet

PE1614

30 MHz to 4 GHz N Bias Tee Rated To 2500 mA And 100 Volts DC from Pasternack Enterprises has same day shipment for domestic and International orders. Our RF, microwave and millimeter wave products maintain a 99.4% availability and are part of the broadest selection in the industry.

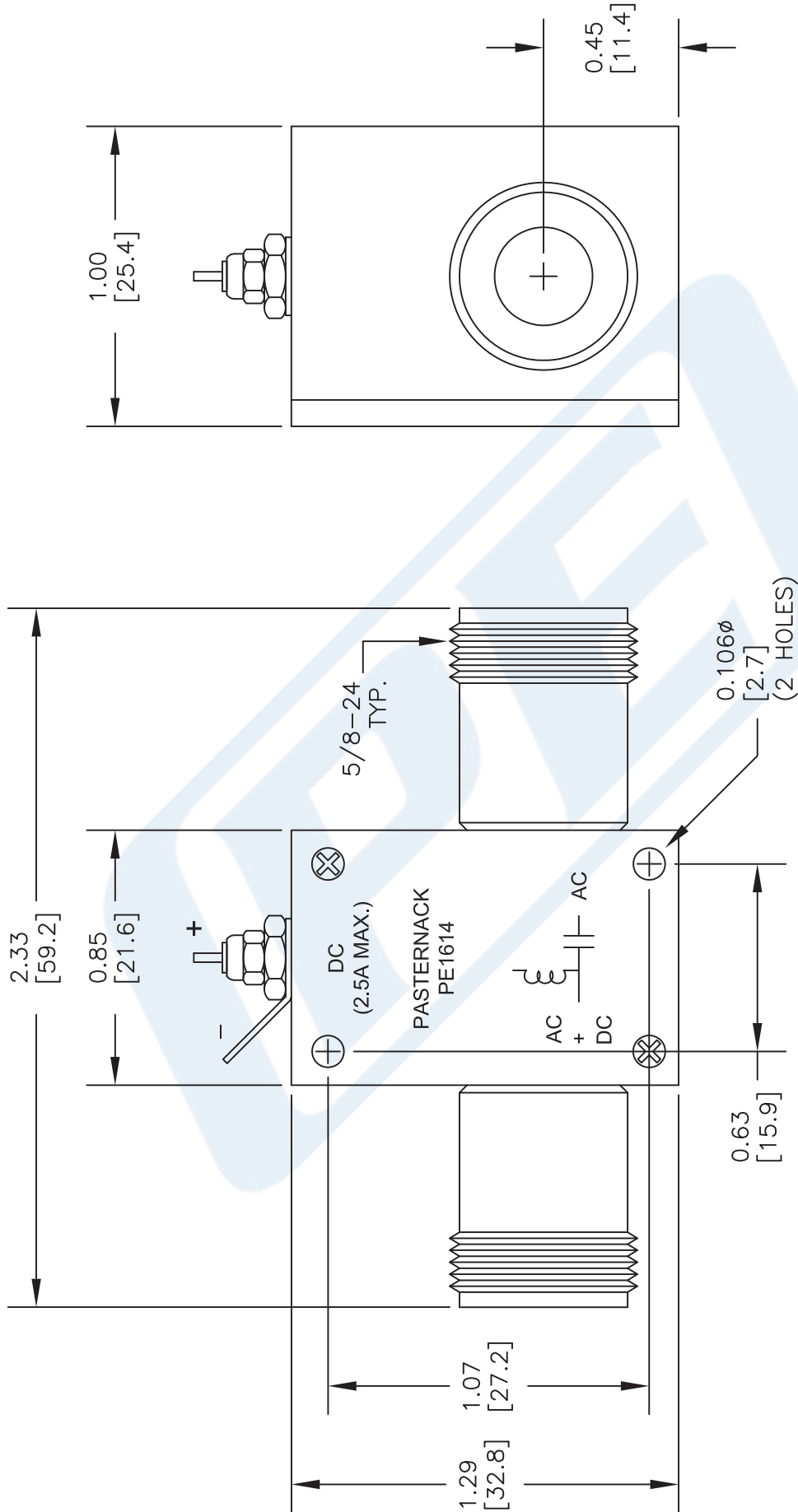
Click the following link (or enter part number in "SEARCH" on website) to obtain additional part information including price, inventory and certifications: [30 MHz to 4 GHz N Bias Tee Rated To 2500 mA And 100 Volts DC PE1614](https://www.pasternack.com/10-mhz-4-ghz-n-bias-tee-2500-ma-100-volts-dc-pe1614-p.aspx)

URL: <https://www.pasternack.com/10-mhz-4-ghz-n-bias-tee-2500-ma-100-volts-dc-pe1614-p.aspx>

The information contained in this document is accurate to the best of our knowledge and representative of the part described herein. It may be necessary to make modifications to the part and/or the documentation of the part, in order to implement improvements. Pasternack reserves the right to make such changes as required. Unless otherwise stated, all specifications are nominal. Pasternack does not make any representation or warranty regarding the suitability of the part described herein for any particular purpose, and Pasternack does not assume any liability arising out of the use of any part or documentation.

PE1614 CAD Drawing

30 MHz to 4 GHz N Bias Tee Rated To 2500 mA And 100 Volts DC



DWG TITLE

PE1614

NOTES:
 1. UNLESS OTHERWISE SPECIFIED ALL DIMENSIONS ARE NOMINAL.
 2. ALL SPECIFICATIONS ARE SUBJECT TO CHANGE WITHOUT NOTICE AT ANY TIME.
 3. DIMENSIONS ARE IN INCHES [mm].

FSCM NO. 53919

2233

SIZE A

SCALE N/A

CAD FILE 092313

PE PASTERNAK®
 Pasternack Enterprises, Inc.
 P.O. Box 16759 | Irvine | CA | 92623
 Phone: (949) 261-1920 | Fax: (949) 261-7451
 Website: www.pasternack.com | E-Mail: sales@pasternack.com