



0.1 MHz to 50 GHz 2.4mm Bias Tee Rated
To 150 mA And 25 Volts DC

TECHNICAL DATA SHEET

PE1610

0.1 MHz to 50 GHz 2.4mm Bias Tee Rated To 150 mA And 25 Volts DC

Configuration

RF Port Connector	2.4mm Female
RF Port Connector Impedance	50 Ohms
RF Port Connector Specification	MIL-STD-348
DC/RF Port Connector	2.4mm Male
DC/RF Port Connector Impedance	50 Ohms
DC/RF Port Connector Specification	MIL-STD-348
DC Port Connector	SMA Female

Electrical Specifications

Frequency Range, GHz	0.0001 to 50
Maximum RF to Bias Isolation, dB	50
Maximum RF Input Power, Watts	5
Maximum DC Voltage, Volts	25
Maximum DC Current, mA	150

Frequency 1

Frequency, GHz	0.0001 to 18
VSWR	1.6:1
Insertion Loss, dB	1.5

Frequency 2

Frequency, GHz	18 to 50
VSWR	1.8:1
Insertion Loss, dB	3

Mechanical Specifications

Size

Length, in [mm]	1.55 [39.37]
Width/Dia., in [mm]	0.5 [12.7]
Height, in [mm]	1.48 [37.59]

RF Port Connector

Type	2.4mm Female
Inner Conductor Material and Plating	Beryllium Copper, Gold
Body Material and Plating	Beryllium Copper, Gold

RF/DC Port Connector

Type	2.4mm Male
Inner Conductor Material and Plating	Beryllium Copper, Gold
Body Material and Plating	Beryllium Copper, Gold

Click the following link (or enter part number in "SEARCH" on website) to obtain additional part information including price, inventory and certifications: [0.1 MHz to 50 GHz 2.4mm Bias Tee Rated To 150 mA And 25 Volts DC PE1610](#)

The information contained in this document is accurate to the best of our knowledge and representative of the part described herein. It may be necessary to make modifications to the part and/or the documentation of the part, in order to implement improvements. Pasternack reserves the right to make such changes as required. Unless otherwise stated, all specifications are nominal.



0.1 MHz to 50 GHz 2.4mm Bias Tee Rated
To 150 mA And 25 Volts DC

TECHNICAL DATA SHEET

PE1610

DC Port Connector

Type	SMA Female
Body Material and Plating	Passivated Stainless Steel

Compliance Certifications (visit www.Pasternack.com for current document)

RoHS Compliant	Yes
----------------	-----

Plotted and Other Data

Notes:	Values at 25 °C, sea level
--------	----------------------------

0.1 MHz to 50 GHz 2.4mm Bias Tee Rated To 150 mA And 25 Volts DC from Pasternack Enterprises has same day shipment for domestic and International orders. Our RF, microwave and fiber optic products maintain a 99% availability and are part of the broadest selection in the industry.

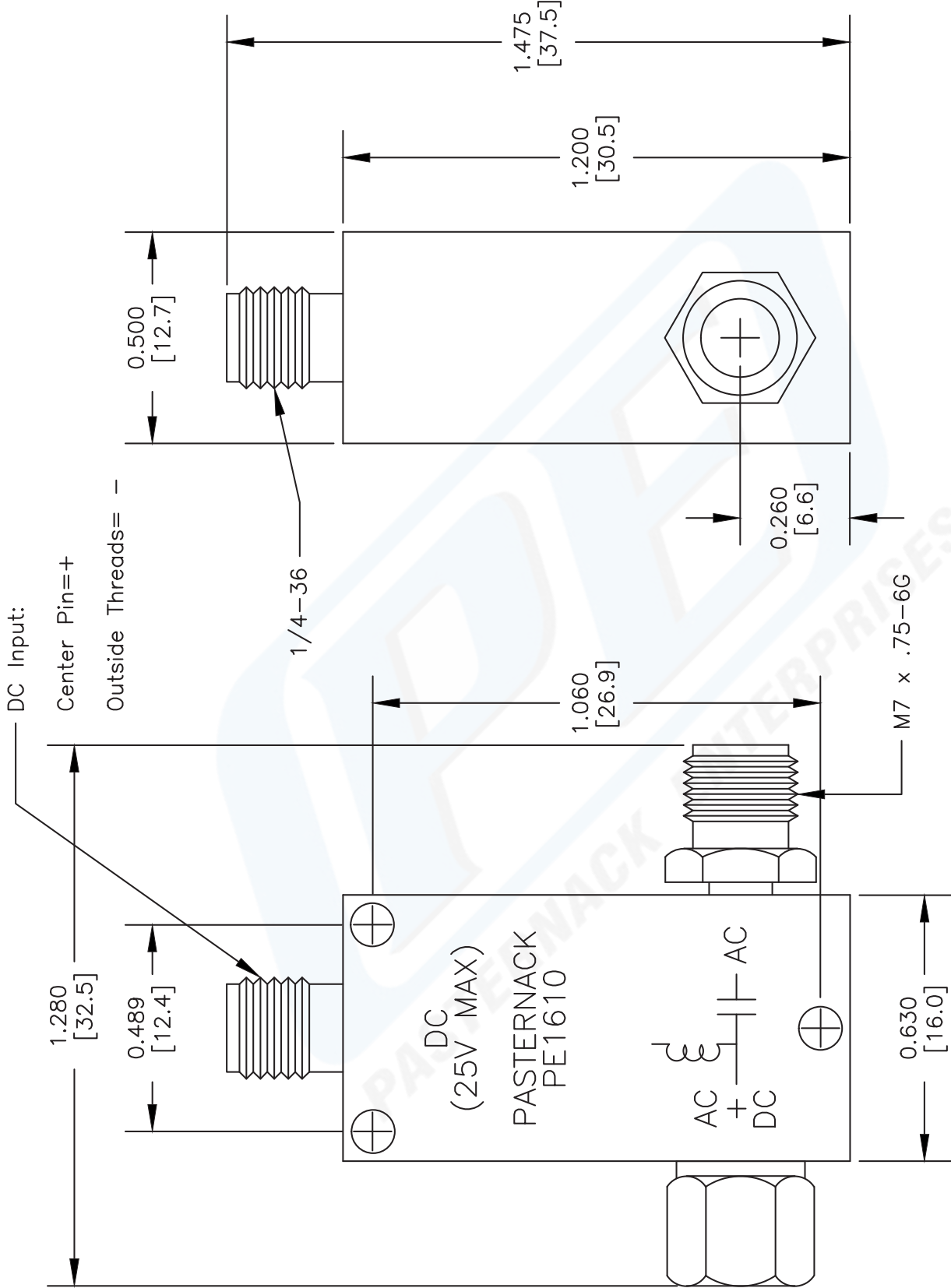
Click the following link (or enter part number in "SEARCH" on website) to obtain additional part information including price, inventory and certifications: [0.1 MHz to 50 GHz 2.4mm Bias Tee Rated To 150 mA And 25 Volts DC PE1610](http://www.pasternack.com/0.1-mhz-50-ghz-2.4mm-bias-tee-250-ma-25-volts-dc-pe1610-p.aspx)

URL: <http://www.pasternack.com/0.1-mhz-50-ghz-2.4mm-bias-tee-250-ma-25-volts-dc-pe1610-p.aspx>

The information contained in this document is accurate to the best of our knowledge and representative of the part described herein. It may be necessary to make modifications to the part and/or the documentation of the part, in order to implement improvements. Pasternack reserves the right to make such changes as required. Unless otherwise stated, all specifications are nominal.

PE1610 CAD Drawing

0.1 MHz to 50 GHz 2.4mm Bias Tee Rated To 150 mA And 25 Volts DC



DWG TITLE

PE1610

FSCM NO. 53919

NOTES:
1. UNLESS OTHERWISE SPECIFIED ALL DIMENSIONS ARE NOMINAL.
2. ALL SPECIFICATIONS ARE SUBJECT TO CHANGE WITHOUT NOTICE AT ANY TIME.
3. DIMENSIONS ARE IN INCHES [mm].

CAD FILE 092804

SCALE N/A

SIZE A

XXXX

PE PASTERNAK

Pasternack Enterprises, Inc.
P.O. Box 16759 | Irvine | CA | 92623
Phone: (949) 261-1920 | Fax: (949) 261-7451
Website: www.pasternack.com | E-Mail: sales@pasternack.com