



1 GHz to 5 GHz SMA Bias Tee Rated To 1000 mA And 50 Volts DC

TECHNICAL DATA SHEET

PE1603

Configuration

RF Port Connector	SMA Female
RF Port Connector Impedance	50 Ohms
RF Port Connector Specification	MIL-STD-348
DC/RF Port Connector	SMA Female
DC/RF Port Connector Impedance	50 Ohms
DC/RF Port Connector Specification	MIL-STD-348
DC Port Connector	Solder Pin

Electrical Specifications (Values at 25°C, sea level)

Description	Minimum	Typical	Maximum	Units
Frequency Range	1000 MHz		5 GHz	
RF Port VSWR			1.5:1	
RF to Bias Isolation	25			dB
DC Voltage			50	Volts
DC Current			1,000	mA

Mechanical Specifications

Size

Length	2 in [50.8 mm]
Width/Dia.	0.55 in [13.97 mm]
Height	1.525 in [[38.74 mm]]

Connectors

Description	RF Port Connector	RF/DC Port Connector	DC Port Connector
Type	SMA Female	SMA Female	Solder Pin

Compliance Certifications (visit www.Pasternack.com for current document)

RoHS Compliant	
REACH Compliant	12/17/2014

Plotted and Other Data

Notes:

- Values at 25 °C, sea level

Click the following link (or enter part number in "SEARCH" on website) to obtain additional part information including price, inventory and certifications: [1 GHz to 5 GHz SMA Bias Tee Rated To 1000 mA And 50 Volts DC PE1603](#)



1 GHz to 5 GHz SMA Bias Tee Rated To 1000 mA And 50 Volts DC

TECHNICAL DATA SHEET

PE1603

1 GHz to 5 GHz SMA Bias Tee Rated To 1000 mA And 50 Volts DC from Pasternack Enterprises has same day shipment for domestic and International orders. Our RF, microwave and millimeter wave products maintain a 99% availability and are part of the broadest selection in the industry.

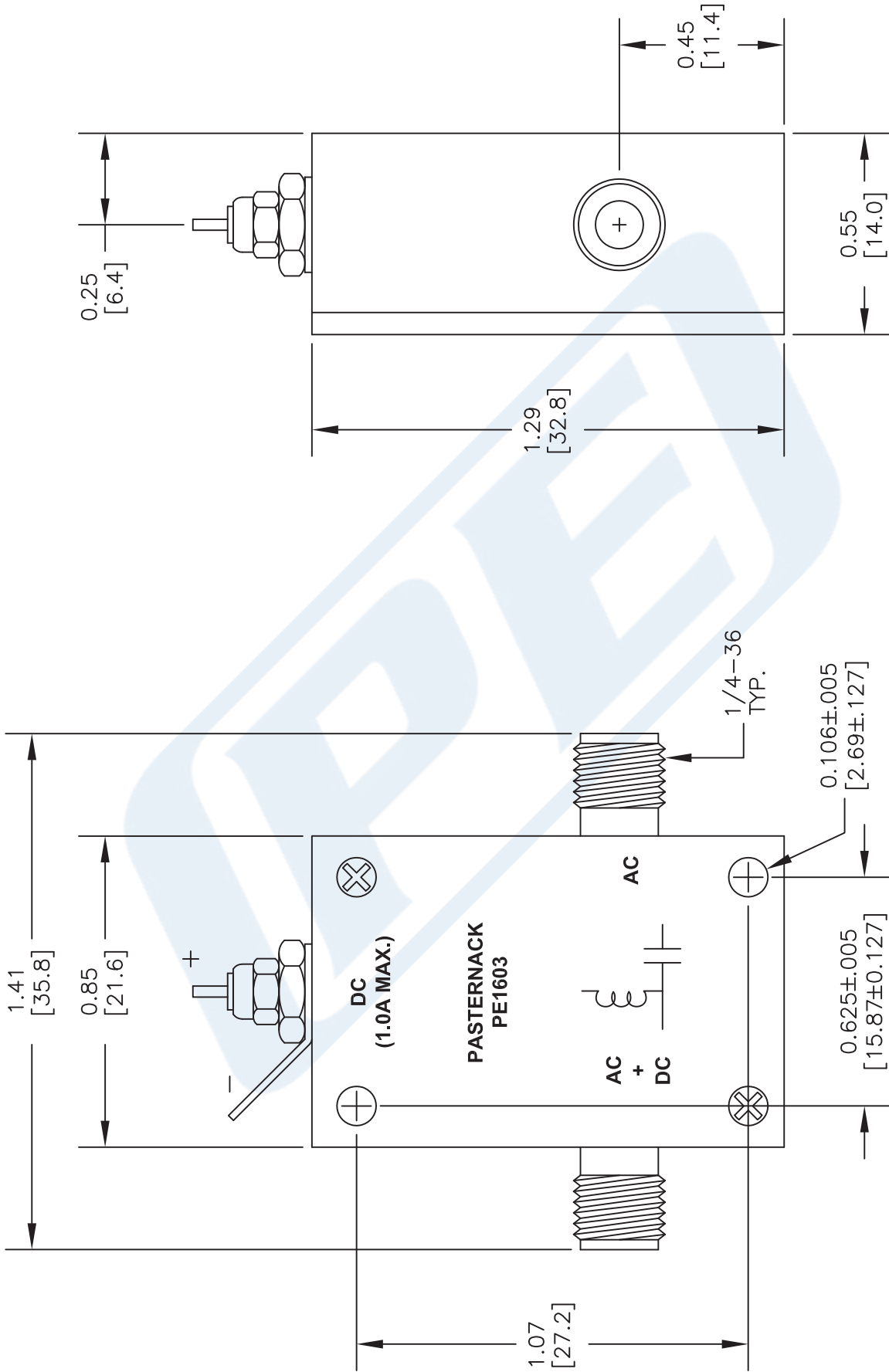
Click the following link (or enter part number in "SEARCH" on website) to obtain additional part information including price, inventory and certifications: [1 GHz to 5 GHz SMA Bias Tee Rated To 1000 mA And 50 Volts DC PE1603](http://www.pasternack.com/1000-mhz-5-ghz-sma-bias-tee-1000-ma-50-volts-dc-pe1603-p.aspx)

URL: <http://www.pasternack.com/1000-mhz-5-ghz-sma-bias-tee-1000-ma-50-volts-dc-pe1603-p.aspx>

The information contained in this document is accurate to the best of our knowledge and representative of the part described herein. It may be necessary to make modifications to the part and/or the documentation of the part, in order to implement improvements. Pasternack reserves the right to make such changes as required. Unless otherwise stated, all specifications are nominal. Pasternack does not make any representation or warranty regarding the suitability of the part described herein for any particular purpose, and Pasternack does not assume any liability arising out of the use of any part or documentation.

PE1603 CAD Drawing

1 GHz to 5 GHz SMA Bias Tee Rated To 1000 mA And 50 Volts DC



NOTES:
 1. UNLESS OTHERWISE SPECIFIED ALL DIMENSIONS ARE NOMINAL.
 2. ALL SPECIFICATIONS ARE SUBJECT TO CHANGE WITHOUT NOTICE AT ANY TIME.
 3. DIMENSIONS ARE IN INCHES [mm].

DWG TITLE		FSCM NO. 53919	
PE1603		CAD FILE	111615
SCALE	N/A	SIZE	A
			150

PE PASTERNAK
 THE ENGINEER'S RF SOURCE

Pasternack Enterprises, Inc.
 P.O. Box 16759 | Irvine | CA | 92623
 Phone: (949) 261-1920 | Fax: (949) 261-7451
 Website: www.pasternack.com | E-Mail: sales@pasternack.com