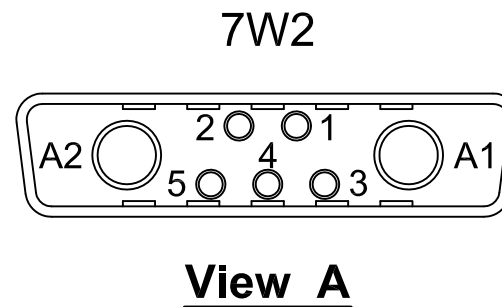


PIN	FUNCTION	COLOR	LABLE
A1	GND	BLACK	GND
A2	+VDC	RED	+VDC
1	TEMP	ORANGE	TEMP
2	ENABLE	BLUE	I/O
3	REV	YELLOW	REV
4	SIG GND	BLACK	GND
5	FWD	GREEN	FWD



Pasternack Enterprises, Inc.  
P.O. Box 16759 | Irvine | CA | 92623

Phone: (949) 261-1920 | Fax: (949) 261-7451

Website: [www.pasternack.com](http://www.pasternack.com) | E-Mail: [sales@pasternack.com](mailto:sales@pasternack.com)

DWG TITLE

**PE15J5011**

NOTES:

1. UNLESS OTHERWISE SPECIFIED ALL DIMENSIONS ARE NOMINAL.
2. ALL SPECIFICATIONS ARE SUBJECT TO CHANGE WITHOUT NOTICE AT ANY TIME.
3. DIMENSIONS ARE IN INCHES [mm].

**CAGE CODE 53919**

CAD FILE 033117

SCALE N/A

SIZE A

2233