



4-40 Zinc Plated Screw 0.5 Inch Long
Phillips in 100 Each Packages

TECHNICAL DATA SHEET

PE1006-3

4-40 Zinc Plated Screw 0.5 Inch Long Phillips in 100 Each Packages

Configuration

Description	Screw
Thread Size,	Phillips
Length, in [mm]	0.5 [12.7]
Pieces Per Package	100

Compliance Certifications (visit www.Pasternack.com for current document)

Plotted and Other Data

Notes: Values at 25 °C, sea level

4-40 Zinc Plated Screw 0.5 Inch Long Phillips in 100 Each Packages from Pasternack Enterprises has same day shipment for domestic and International orders. Our RF, microwave and fiber optic products maintain a 99% availability and are part of the broadest selection in the industry.

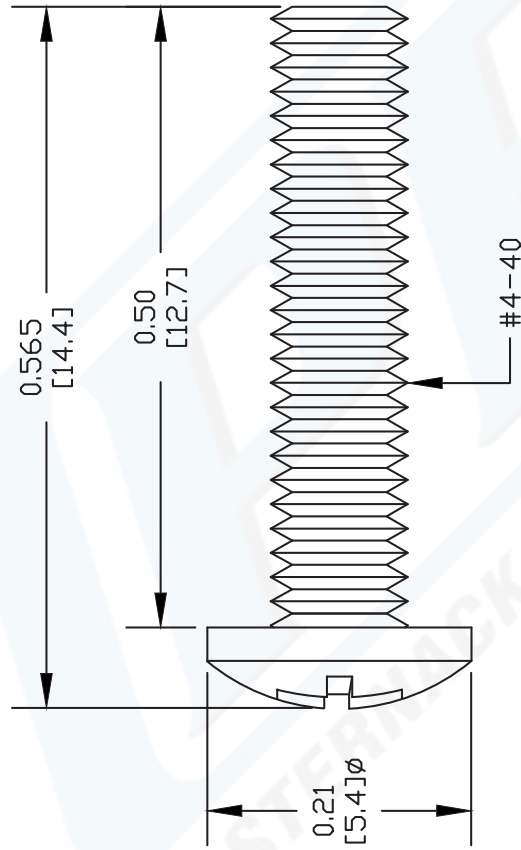
Click the following link (or enter part number in "SEARCH" on website) to obtain additional part information including price, inventory and certifications: [4-40 Zinc Plated Screw 0.5 Inch Long Phillips in 100 Each Packages PE1006-3](#)

URL: <http://www.pasternack.com/4-40-zinc-plated-screw-0.5-inch-long-phillips-in-100-pe1006-3-p.aspx>

The information contained in this document is accurate to the best of our knowledge and representative of the part described herein. It may be necessary to make modifications to the part and/or the documentation of the part, in order to implement improvements. Pasternack reserves the right to make such changes as required. Unless otherwise stated, all specifications are nominal.

PE1006-3 CAD Drawing

4-40 Zinc Plated Screw 0.5 Inch Long Phillips in 100 Each Packages



NOTES:
 1. UNLESS OTHERWISE SPECIFIED ALL DIMENSIONS ARE NOMINAL.
 2. ALL SPECIFICATIONS ARE SUBJECT TO CHANGE WITHOUT NOTICE AT ANY TIME.
 3. DIMENSIONS ARE IN INCHES [mm].

DWG TITLE
PE1006-3

FSCM NO. 53919

SIZE A

SCALE N/A

CAD FILE 042303

XXXX

PE PASTERNAK®
 Pasternack Enterprises, Inc.
 P.O. Box 16759 | Irvine | CA | 92623
 Phone: (949) 261-1920 | Fax: (949) 261-7451
 Website: www.pasternack.com | E-Mail: sales@pasternack.com