



3-56 Stainless Steel Screw 0.5 Inch Long
Phillips in 100 Each Packages

TECHNICAL DATA SHEET

PE1004-3-100PK

Configuration

Description	Screw
Thread Size,	Phillips
Length, in [mm]	0.5 [12.7]
Pieces Per Package	100

Compliance Certifications (visit www.Pasternack.com for current document)

Not RoHS Compliant

Plotted and Other Data

Notes:

- Values at +25 °C, sea level

3-56 Stainless Steel Screw 0.5 Inch Long Phillips in 100 Each Packages from Pasternack Enterprises has same day shipment for domestic and International orders. Our RF, microwave and millimeter wave products maintain a 99% availability and are part of the broadest selection in the industry.

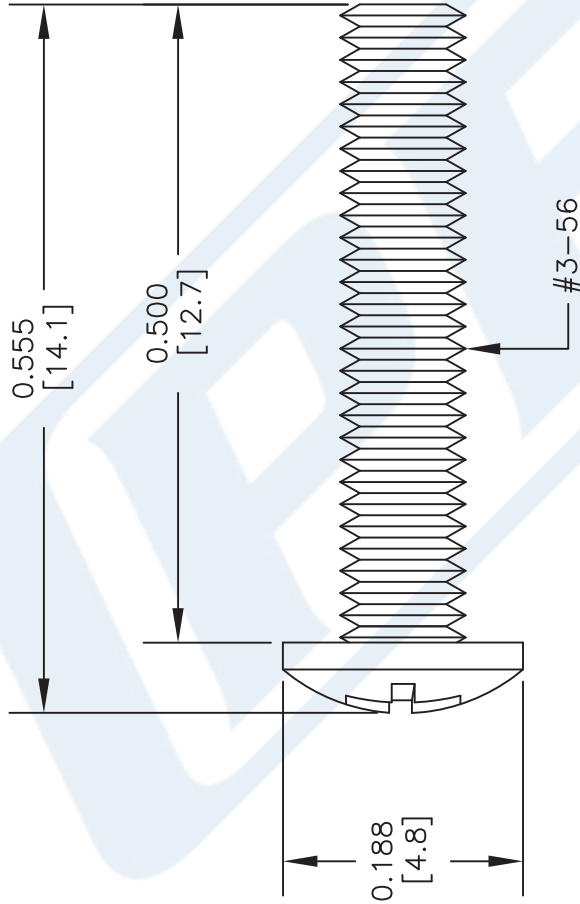
Click the following link (or enter part number in "SEARCH" on website) to obtain additional part information including price, inventory and certifications: [3-56 Stainless Steel Screw 0.5 Inch Long Phillips in 100 Each Packages PE1004-3-100PK](http://www.pasternack.com/3-56-stainless-steel-screw-0.5-inch-long-phillips-in-100-pe1004-3-100PK)

URL: <http://www.pasternack.com/3-56-stainless-steel-screw-0.5-inch-long-phillips-in-100-pe1004-3-p.aspx>

The information contained in this document is accurate to the best of our knowledge and representative of the part described herein. It may be necessary to make modifications to the part and/or the documentation of the part, in order to implement improvements. Pasternack reserves the right to make such changes as required. Unless otherwise stated, all specifications are nominal. Pasternack does not make any representation or warranty regarding the suitability of the part described herein for any particular purpose, and Pasternack does not assume any liability arising out of the use of any part or documentation.

PE1004-3-100PK CAD Drawing

3-56 Stainless Steel Screw 0.5 Inch Long Phillips in 100 Each Packages



DWG TITLE

PE1004-3-100PK

FSCM NO. 53919

CAD FILE 082014

SCALE N/A

SIZE A

2233

- NOTES:
1. UNLESS OTHERWISE SPECIFIED ALL DIMENSIONS ARE NOMINAL.
 2. ALL SPECIFICATIONS ARE SUBJECT TO CHANGE WITHOUT NOTICE AT ANY TIME.
 3. DIMENSIONS ARE IN INCHES [mm].



Pasternack Enterprises, Inc.
P.O. Box 16759 | Irvine | CA | 92623
Phone: (949) 261-1920 | Fax: (949) 261-7451
Website: www.pasternack.com | E-Mail: sales@pasternack.com