



Hermetic Seal Solder Contact With 0.012 Diameter Flat
Tip, 0.076 Body Diameter And 0.041 Pin Length

TECHNICAL DATA SHEET

PE1001-6

Configuration

Description	Hermetic Seal Solder Contact
Isolated Ground / Hermetic	Hermetic
Pin Diameter, in [mm]	0.012 [0.3]
Pin Length, in [mm]	0.041 [1.04]
Body Diameter, in [mm]	0.076 [1.93]
Body Length, in [mm]	0.055 [1.4]
Contact Material and Plating	Gold
Dielectric Material	7070 Glass
Body Material and Plating	Brass Gold

Compliance Certifications (see [product page](#) for current document)

Plotted and Other Data

Notes:

- Values at +25 °C, sea level
- Glass Type: 7070 Glas

Hermetic Seal Solder Contact With 0.012 Diameter Flat Tip, 0.076 Body Diameter And 0.041 Pin Length from Pasternack Enterprises has same day shipment for domestic and International orders. Our RF, microwave and millimeter wave products maintain a 99.4% availability and are part of the broadest selection in the industry.

Click the following link (or enter part number in "SEARCH" on website) to obtain additional part information including price, inventory and certifications: [Hermetic Seal Solder Contact With 0.012 Diameter Flat Tip, 0.076 Body Diameter And 0.041 Pin Length PE1001-6](#)

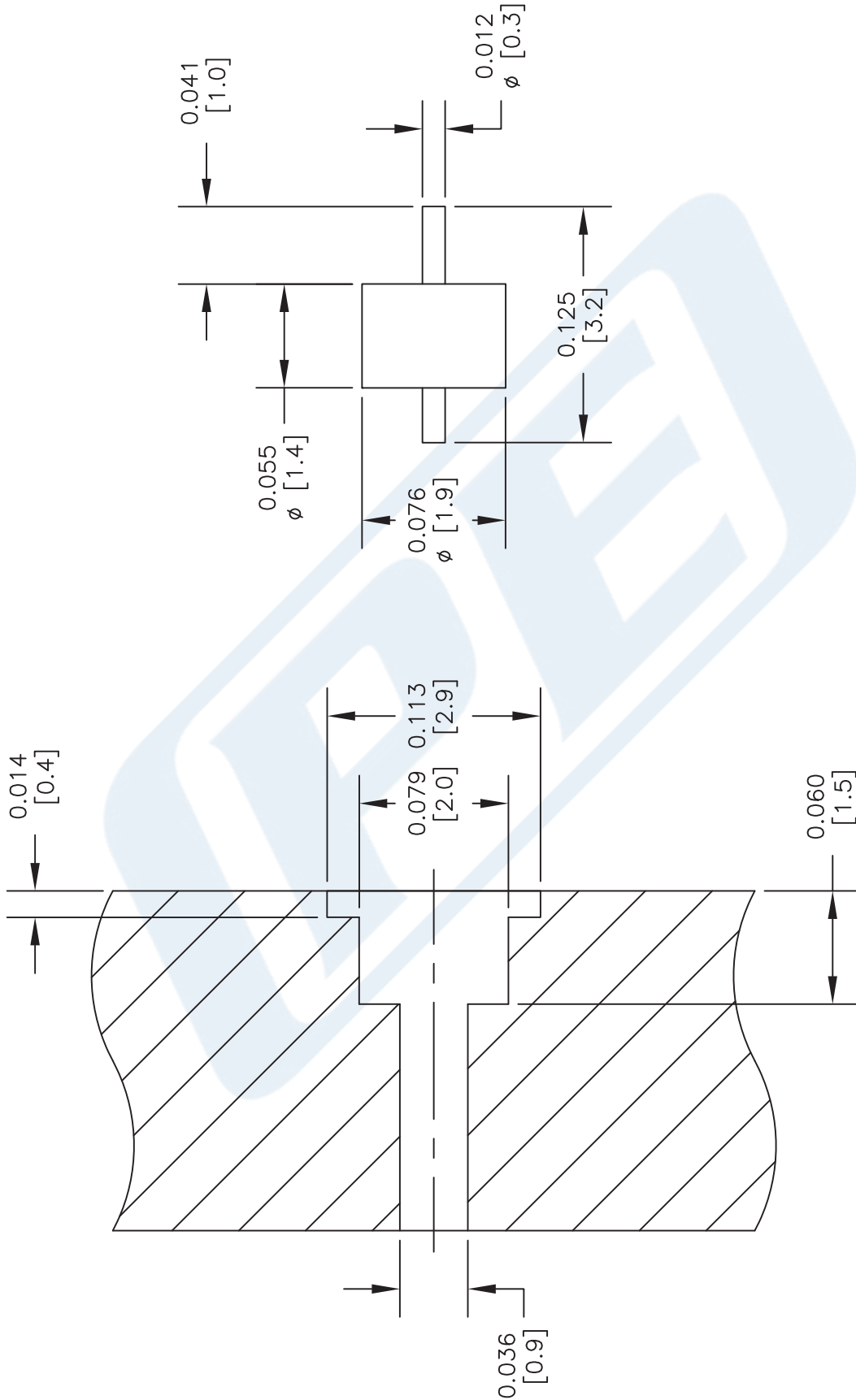
URL: <https://www.pasternack.com/hermetic-seal-solder-contact-0.012-pin-diameter-0.076-body-0.041-pin-pe1001-6-p.aspx>

The information contained in this document is accurate to the best of our knowledge and representative of the part described herein. It may be necessary to make modifications to the part and/or the documentation of the part, in order to implement improvements. Pasternack reserves the right to make such changes as required. Unless otherwise stated, all specifications are nominal. Pasternack does not make any representation or warranty regarding the suitability of the part described herein for any particular purpose, and Pasternack does not assume any liability arising out of the use of any part or documentation.

The information contained in this document is accurate to the best of our knowledge and representative of the part described herein. It may be necessary to make modifications to the part and/or the documentation of the part, in order to implement improvements. Pasternack reserves the right to make such changes as required. Unless otherwise stated, all specifications are nominal. Pasternack does not make any representation or warranty regarding the suitability of the part described herein for any particular purpose, and Pasternack does not assume any liability arising out of the use of any part or documentation.

PE1001-6 CAD Drawing

Hermetic Seal Solder Contact With 0.012 Diameter Flat Tip,
0.076 Body Diameter And 0.041 Pin Length



MOUNTING HOLE

NOTES:
1. UNLESS OTHERWISE SPECIFIED ALL DIMENSIONS ARE NOMINAL.
2. ALL SPECIFICATIONS ARE SUBJECT TO CHANGE WITHOUT NOTICE AT ANY TIME.
3. DIMENSIONS ARE IN INCHES [mm].

DWG TITLE

PE1001-6

FSCM NO. 53919

CAD FILE 011813-A

SCALE N/A

SIZE A

2233



Pasternack Enterprises, Inc.
P.O. Box 16759 | Irvine | CA | 92623
Phone: (949) 261-1920 | Fax: (949) 261-7451
Website: www.pasternack.com | E-Mail: sales@pasternack.com