



WR-42 UG-597/U Square Cover Flange to 2.92mm Female Waveguide to Coax Adapter Operating from 18 GHz to 26.5 GHz

Waveguide to Coax Adapters Technical Data Sheet

PE-W42CA001

**Features**

- K Band, 18 to 26.5 GHz Frequency Range
- WR-42 Waveguide Interface with UG-597/U Flange
- 2.92mm Female RF Interface
- Comprehensive waveguide offerings also include E-Bends, H-Bends, Sections, Filters, Terminations, Couplers, and more.

**Description**

The PE-W42CA001 is a waveguide to coaxial adapter operating in the K Band with a 18 to 26.5 GHz frequency range. This adapter offers a WR-42 waveguide interface size coupled with a precision tolerance UG-597/U flange. The PE-W42CA001 is constructed of aluminum and plated in gold to ensure durability and repeatable RF performance.

**Configuration**

Waveguide Size	WR-42
Flange	UG-597/U Square Cover
RF Connector	2.92mm Female
Impedance	50 Ohms
Body Geometry	Right Angle

**Electrical Specifications**

Description	Minimum	Typical	Maximum	Units
Frequency Range	18		26.5	GHz
VSWR			1.29:1	
Insertion Loss			0.3	dB

**Mechanical Specifications**

<b>Size</b>	
Length	0.85 in [21.59 mm]
Width	0.88 in [22.35 mm]
Height	1 in [25.4 mm]
Weight	0.0345 lbs [15.65 g]

**RF Connector**

Connector Type	2.92mm Female
Body Material and Plating	Stainless Steel

**Waveguide Interface**

Waveguide Type	WR-42
Flange Type	Square Cover
Flange Designation	UG-597/U
Body Material and Plating	Aluminum, Gold

Click the following link (or enter part number in "SEARCH" on website) to obtain additional part information including price, inventory and certifications: [WR-42 UG-597/U Square Cover Flange to 2.92mm Female Waveguide to Coax Adapter Operating from 18 GHz to 26.5 GHz PE-W42CA001](#)



WR-42 UG-597/U Square Cover Flange to 2.92mm Female  
Waveguide to Coax Adapter Operating from 18 GHz to 26.5 GHz

## Waveguide to Coax Adapters Technical Data Sheet

PE-W42CA001

Plating Specification

ASTMB488

### Environmental Specifications

#### Temperature

Operating Range

-40 to +85 deg C

**Compliance Certifications** (see [product page](#) for current document)

### Plotted and Other Data

Notes:

- Values at +25 °C, sea level unless stated otherwise

Click the following link (or enter part number in "SEARCH" on website) to obtain additional part information including price, inventory and certifications: [WR-42 UG-597/U Square Cover Flange to 2.92mm Female Waveguide to Coax Adapter Operating from 18 GHz to 26.5 GHz PE-W42CA001](#)

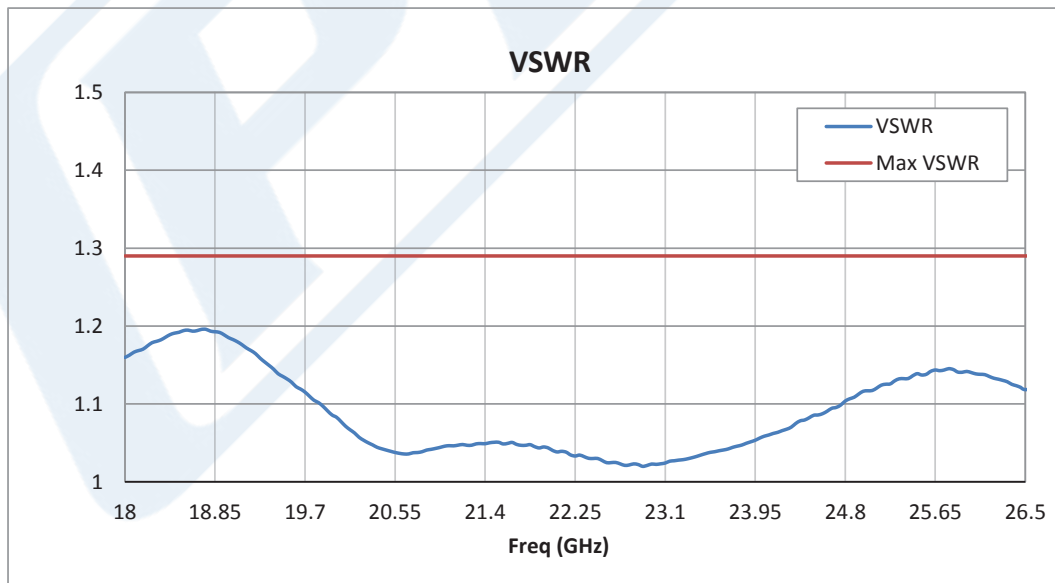
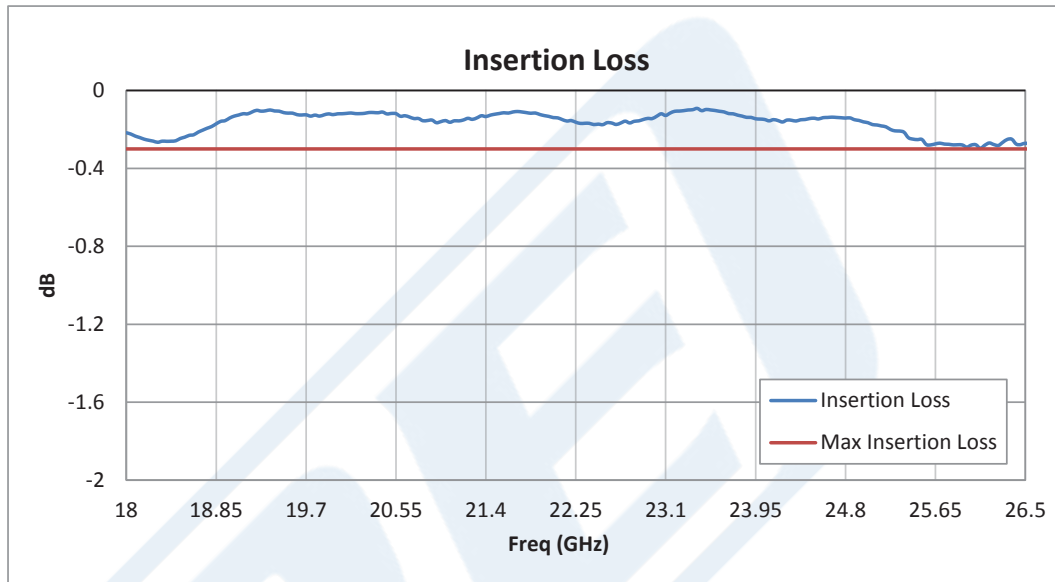


WR-42 UG-597/U Square Cover Flange to 2.92mm Female Waveguide to Coax Adapter Operating from 18 GHz to 26.5 GHz

Waveguide to Coax Adapters Technical Data Sheet

PE-W42CA001

Typical Performance Data



Click the following link (or enter part number in "SEARCH" on website) to obtain additional part information including price, inventory and certifications: [WR-42 UG-597/U Square Cover Flange to 2.92mm Female Waveguide to Coax Adapter Operating from 18 GHz to 26.5 GHz PE-W42CA001](#)



## WR-42 UG-597/U Square Cover Flange to 2.92mm Female Waveguide to Coax Adapter Operating from 18 GHz to 26.5 GHz

### Waveguide to Coax Adapters Technical Data Sheet

PE-W42CA001

WR-42 UG-597/U Square Cover Flange to 2.92mm Female Waveguide to Coax Adapter Operating from 18 GHz to 26.5 GHz from Pasternack Enterprises has same day shipment for domestic and International orders. Our RF, microwave and millimeter wave products maintain a 99.4% availability and are part of the broadest selection in the industry.

Click the following link (or enter part number in "SEARCH" on website) to obtain additional part information including price, inventory and certifications: [WR-42 UG-597/U Square Cover Flange to 2.92mm Female Waveguide to Coax Adapter Operating from 18 GHz to 26.5 GHz PE-W42CA001](https://www.pasternack.com/wr42-ug597-square-flange-to-2.92mm-female-waveguide-coax-adapter-26.5ghz-pe-w42ca001-p.aspx)

URL: <https://www.pasternack.com/wr42-ug597-square-flange-to-2.92mm-female-waveguide-coax-adapter-26.5ghz-pe-w42ca001-p.aspx>

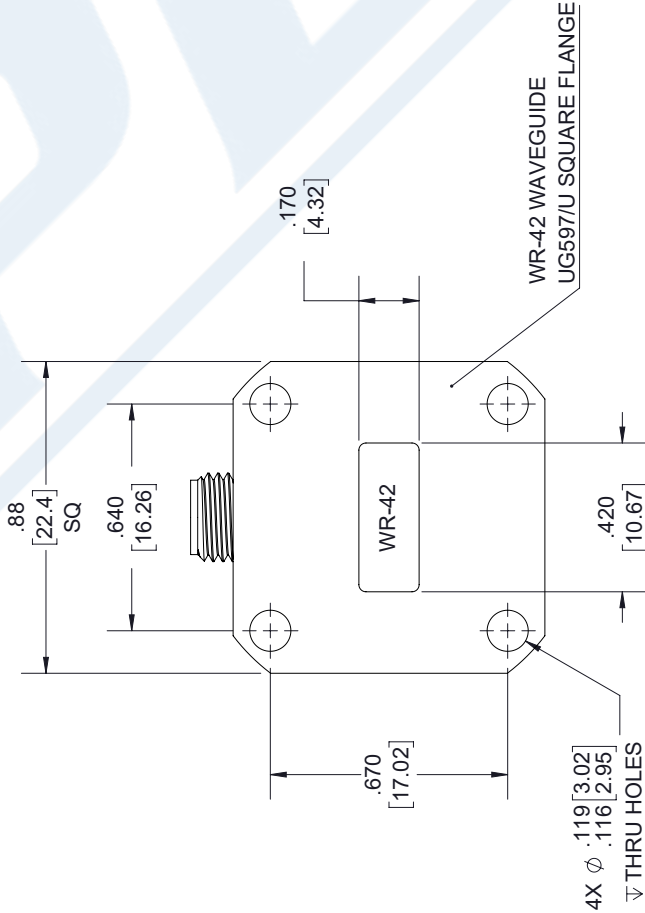
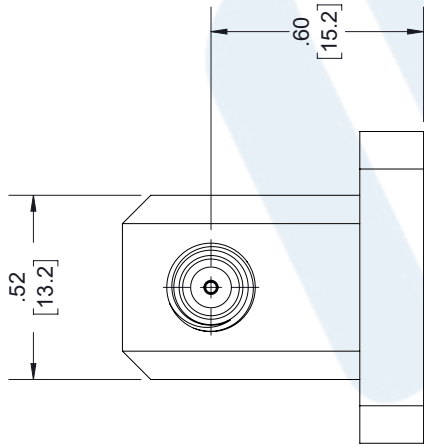
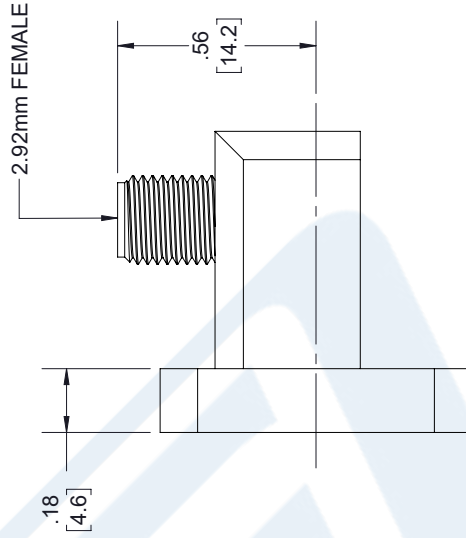
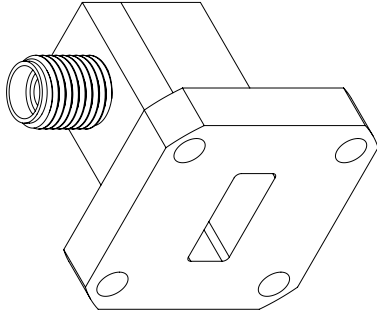
The information contained in this document is accurate to the best of our knowledge and representative of the part described herein. It may be necessary to make modifications to the part and/or the documentation of the part, in order to implement improvements. Pasternack reserves the right to make such changes as required. Unless otherwise stated, all specifications are nominal. Pasternack does not make any representation or warranty regarding the suitability of the part described herein for any particular purpose, and Pasternack does not assume any liability arising out of the use of any part or documentation.

# PE-W42CA001 CAD Drawing

WR-42 UG-597/U Square Cover Flange to 2.92mm Female Waveguide to Coax Adapter Operating from 18 GHz to 26.5 GHz

### REVISIONS

REV.	DESCRIPTION	DATE	APPROVED
A	INITIAL RELEASE	08/09/19	S.PONG



UNLESS OTHERWISE SPECIFIED  
LEADING DIMENSIONS ARE INCHES  
DIMENSIONS IN [ ] ARE MILLIMETERS

TOLERANCES:  
X±.2 [5.08]  
.XX±.01 [ .25]  
.XXX±.005 [ .13]

FRACTIONS  
±.132  
ANGLES ± 1°

ALL DIMENSIONS SHOWN  
ARE FOR REFERENCE ONLY.

THIRD-ANGLE PROJECTION

**PE PASTERNAK**  
an INFINITO brand

Pasternack Enterprises, Inc.  
P.O. Box 16759, Irvine, CA 92623.  
Phone: 1.949.261.1920 | 1.866.727.8376  
Fax: 1.949.261.7451  
www.pasternack.com | e-mail: sales@pasternack.com

THE INFORMATION AND DESIGN IN THIS DOCUMENT IS THE PROPERTY OF PASTERNAK CORPORATION. ALL RIGHTS RESERVED.

SHEET 1 OF 1  
SCALE N/A

SIZE A  
CAGE DRAWN BY K.DANG  
PART NUMBER PE-W42CA001  
REV A

LABEL:

PE-W42CA001  
D/C: YYWW

THESE COMMODITIES, TECHNOLOGY OR SOFTWARE WERE EXPORTED FROM THE UNITED STATES IN ACCORDANCE WITH THE EXPORT ADMINISTRATION REGULATIONS. DIVERSION CONTRARY TO U.S. LAW PROHIBITED.