



4 Watts Low Power Instrumentation Grade
WR-22 Waveguide Load 33 GHz to 50 GHz

Waveguide Terminations Technical Data Sheet

PE-W22TR1001

Features

- WR-22
- 33 to 50 GHz
- UG-383/U Flange
- 1.07:1 Maximum VSWR
- 4 Watts Average Power Handling

Applications

- Instrumentation
- Precision measurements
- Prototyping and characterization
- Production Systems

Description

The PE-W22TR1001 is a waveguide termination (load) that is part of a family of high performance loads with round flange per MIL-DTL-85. They are designed so that virtually all the applied power is absorbed, thus assuring a low VSWR. These standard terminations, offered in the Ka through W waveguide bands can dissipate 0.4 to 6 Watts of power depending on the specific band.

Electrical Specifications

Description	Minimum	Typical	Maximum	Units
Frequency Range	33		50	GHz
VSWR			1.07:1	
Input Power (CW)			4	Watts

Mechanical Specifications

Size

- Length 2 in [50.8 mm]
- Weight 0.078 lbs [35.38 g]

Description	Flange	Waveguide
Designation	UG-383/U	WR-22
Type	Round Cover	
Material	Brass	Brass
Plating	Gold	Gold
Plating Specification	ASTMB488	ASTMB488

Mechanical Specification Notes:
ASTMB488

Environmental Specifications

Click the following link (or enter part number in "SEARCH" on website) to obtain additional part information including price, inventory and certifications: [4 Watts Low Power Instrumentation Grade WR-22 Waveguide Load 33 GHz to 50 GHz PE-W22TR1001](#)



4 Watts Low Power Instrumentation Grade
WR-22 Waveguide Load 33 GHz to 50 GHz

Waveguide Terminations Technical Data Sheet

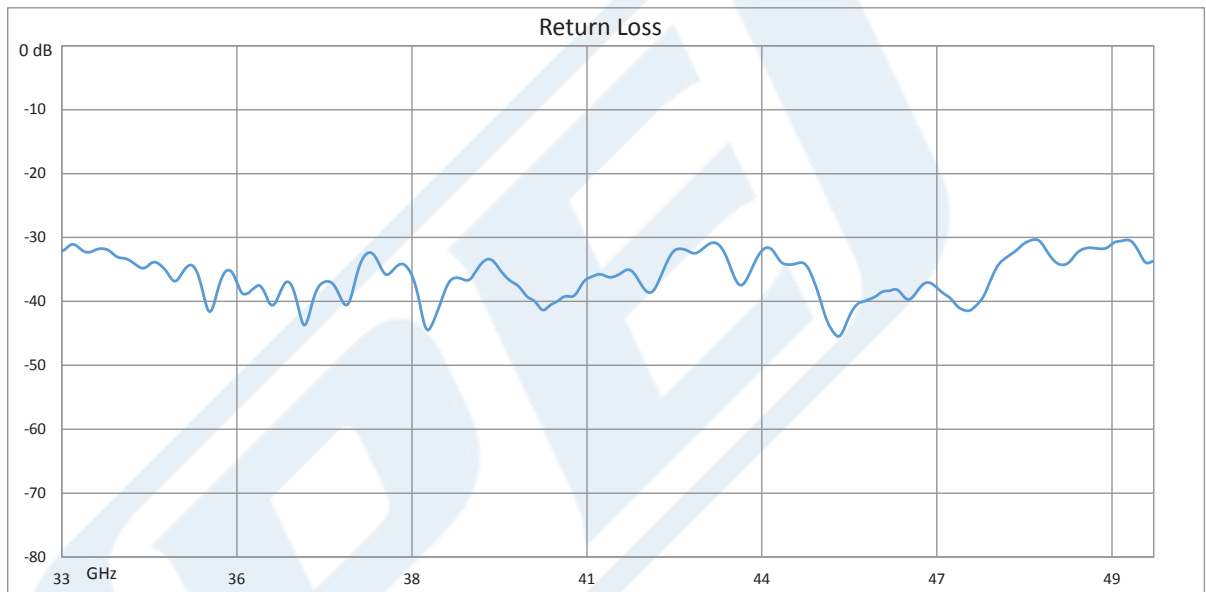
PE-W22TR1001

Compliance Certifications (see [product page](#) for current document)

Plotted and Other Data

Notes:

Typical Performance Data



4 Watts Low Power Instrumentation Grade WR-22 Waveguide Load 33 GHz to 50 GHz from Pasternack Enterprises has same day shipment for domestic and International orders. Our RF, microwave and millimeter wave products maintain a 99.4% availability and are part of the broadest selection in the industry.

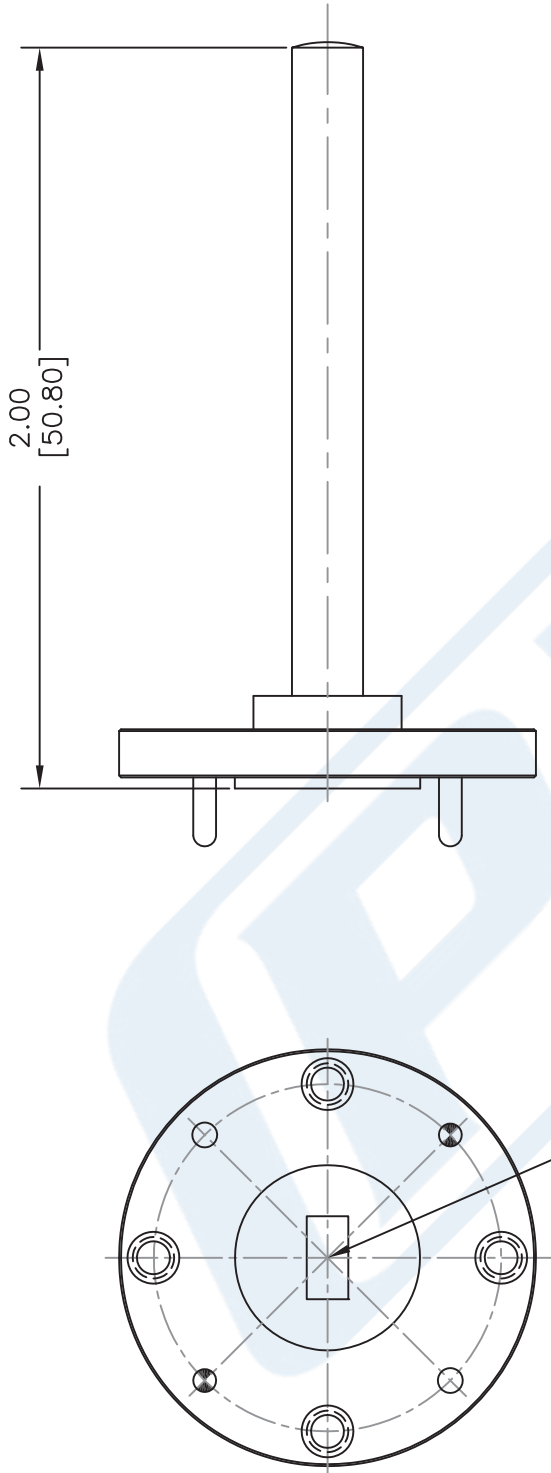
Click the following link (or enter part number in "SEARCH" on website) to obtain additional part information including price, inventory and certifications: [4 Watts Low Power Instrumentation Grade WR-22 Waveguide Load 33 GHz to 50 GHz PE-W22TR1001](#)

URL: <https://www.pasternack.com/4-watts-wr-22-feed-thru-load-33-50-ghz-pe-w22tr1001-p.aspx>

The information contained in this document is accurate to the best of our knowledge and representative of the part described herein. It may be necessary to make modifications to the part and/or the documentation of the part, in order to implement improvements. Pasternack reserves the right to make such changes as required. Unless otherwise stated, all specifications are nominal. Pasternack does not make any representation or warranty regarding the suitability of the part described herein for any particular purpose, and Pasternack does not assume any liability arising out of the use of any part or documentation.

PE-W22TR1001 CAD Drawing

4 Watts Low Power Instrumentation Grade WR-22 Waveguide Load 33 GHz to 50 GHz



UNLESS OTHERWISE SPECIFIED:
 DIMENSIONS ARE IN: inches
 TOLERANCES ARE: [mm]
 .XX ± .10 [± 2.54]
 .XXX ± .005 [± .127]

* THESE DIMENSIONS AND TOLERANCES
 SUPERSEDE NOTE #1 ON TITLE BLOCK.



Pasternack Enterprises, Inc.
 P.O. Box 16759 | Irvine | CA | 92623
Phone: (949) 261-1920 | **Fax:** (949) 261-7451
Website: www.pasternack.com | **E-Mail:** sales@pasternack.com

DWG TITLE

PE-W22TR1001

FSCM NO. 53919

NOTES:
 1. UNLESS OTHERWISE SPECIFIED ALL DIMENSIONS ARE NOMINAL.
 2. ALL SPECIFICATIONS ARE SUBJECT TO CHANGE WITHOUT NOTICE AT ANY TIME.
 3. DIMENSIONS ARE IN INCHES [mm].

CAD FILE 121515

SCALE N/A

SIZE A

2233