



0 to 180 Degree WR-22 Waveguide Phase Shifter, From 33 GHz to 50 GHz, With a UG-383/U Round Cover Flange

Waveguide Phase Shifters Technical Data Sheet

PE-W22PS1001

Features

- WR-22
- 33 to 50 GHz
- UG-383/U Flange
- 1 dB Maximum Insertion Loss
- 1 Watt Average Power Handling
- 0 to 180 Degree Phase Shift Over the Full Band

Applications

- Instrumentation
- Precision measurements
- Prototyping and characterization

Description

The PE-W22PS1001 is a waveguide variable phase shifter that is part of a family of high performance phase shifters with a round flange per MIL-DTL-85. These phase shifters are built using low loss dielectric material, which offers minimum insertion loss. These standard terminations are offered in the Ka through W waveguide bands (18 to 110 GHz.) The phase shifters are equipped with micrometer, which allows fine control resulting in accurate and repeatable phase settings. The variable phase shifters are typically used in the test setups and prototype assemblies where accurate phase shifting is required.

Electrical Specifications

Description	Minimum	Typical	Maximum	Units
Frequency Range	33		50	GHz
Phase Shift		0 to 180		Degrees
Insertion Loss			1	dB
Input Power (CW)			1	Watts

Mechanical Specifications

Size	
Length	3.5 in [88.9 mm]
Width/Dia.	1 in [25.4 mm]
Height	2.29 in [58.17 mm]
Weight	0.413 lbs [187.33 g]

Description	Flange 1	Waveguide	Flange 2
Interface	UG-383/U	WR-22	UG-383/U
Material	Brass	Brass	Brass
Plating	Gold	Gold	Gold
Plating Specification	ASTMB488	ASTMB488	ASTMB488
Finish	Gold	Gold	Gold

Click the following link (or enter part number in "SEARCH" on website) to obtain additional part information including price, inventory and certifications: [0 to 180 Degree WR-22 Waveguide Phase Shifter, From 33 GHz to 50 GHz, With a UG-383/U Round Cover Flange PE-W22PS1001](#)



0 to 180 Degree WR-22 Waveguide Phase Shifter, From 33 GHz to 50 GHz, With a UG-383/U Round Cover Flange

Waveguide Phase Shifters Technical Data Sheet

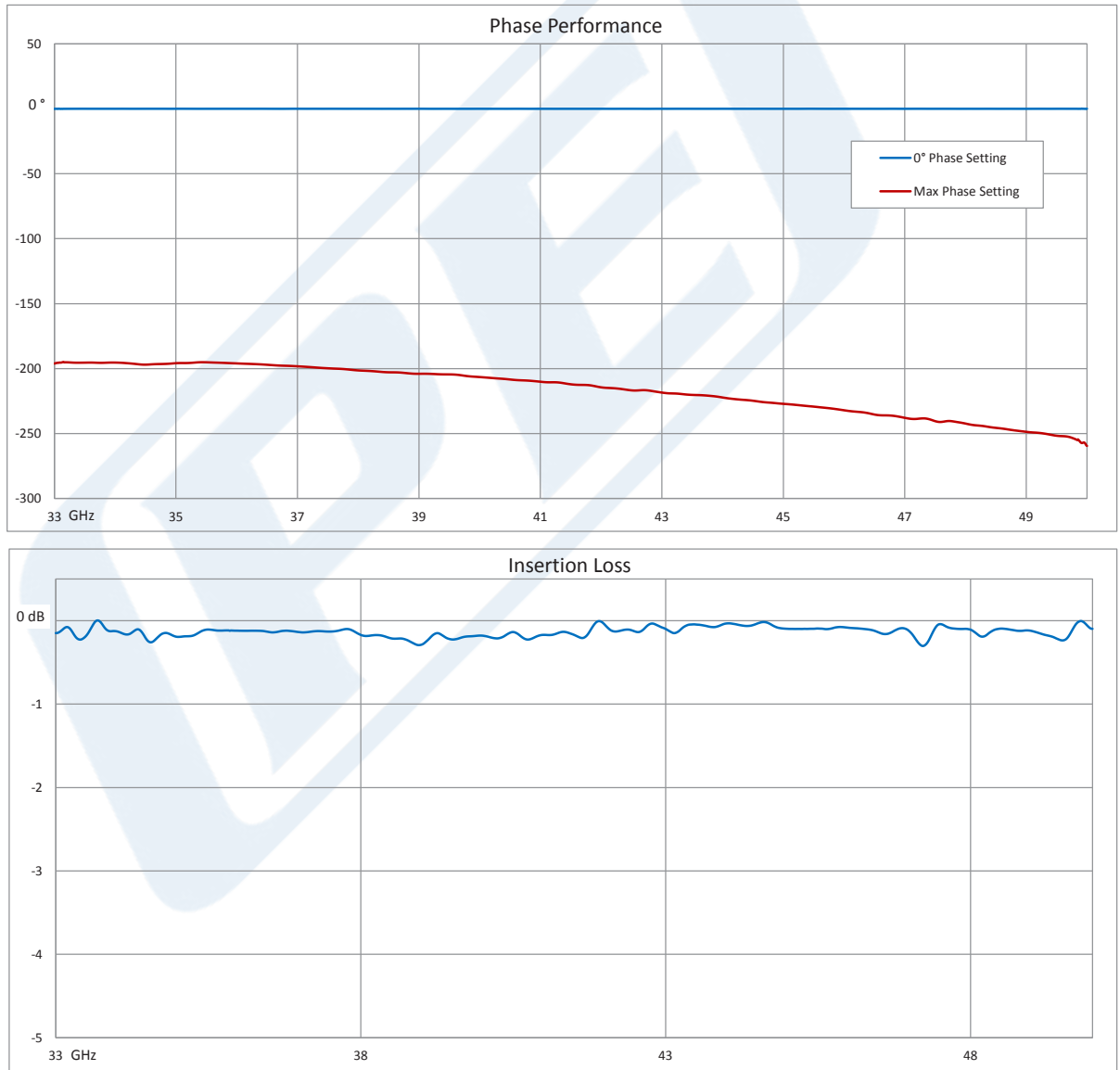
PE-W22PS1001

Compliance Certifications (see [product page](#) for current document)

Plotted and Other Data

Notes:

Typical Performance Data



Click the following link (or enter part number in "SEARCH" on website) to obtain additional part information including price, inventory and certifications: [0 to 180 Degree WR-22 Waveguide Phase Shifter, From 33 GHz to 50 GHz, With a UG-383/U Round Cover Flange PE-W22PS1001](#)



0 to 180 Degree WR-22 Waveguide Phase Shifter, From 33 GHz to 50 GHz, With a UG-383/U Round Cover Flange

Waveguide Phase Shifters Technical Data Sheet

PE-W22PS1001

0 to 180 Degree WR-22 Waveguide Phase Shifter, From 33 GHz to 50 GHz, With a UG-383/U Round Cover Flange from Pasternack Enterprises has same day shipment for domestic and International orders. Our RF, microwave and millimeter wave products maintain a 99.4% availability and are part of the broadest selection in the industry.

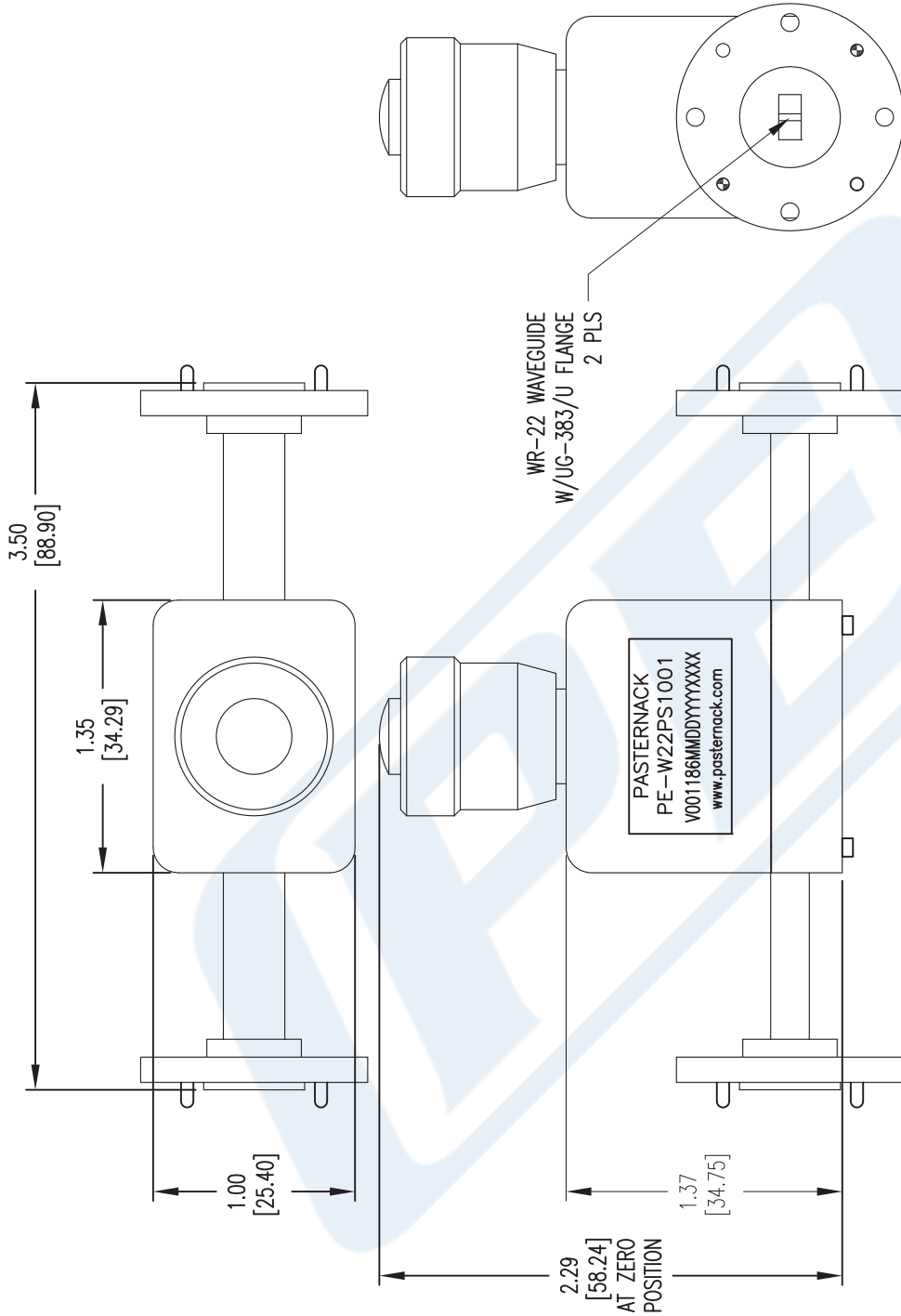
Click the following link (or enter part number in "SEARCH" on website) to obtain additional part information including price, inventory and certifications: [0 to 180 Degree WR-22 Waveguide Phase Shifter, From 33 GHz to 50 GHz, With a UG-383/U Round Cover Flange PE-W22PS1001](https://www.pasternack.com/0-180-wr22-waveguide-phase-shifter-33-50-ghz-ug383-pe-w22ps1001)

URL: <https://www.pasternack.com/0-180-wr22-waveguide-phase-shifter-33-50-ghz-ug383-pe-w22ps1001-p.aspx>

The information contained in this document is accurate to the best of our knowledge and representative of the part described herein. It may be necessary to make modifications to the part and/or the documentation of the part, in order to implement improvements. Pasternack reserves the right to make such changes as required. Unless otherwise stated, all specifications are nominal. Pasternack does not make any representation or warranty regarding the suitability of the part described herein for any particular purpose, and Pasternack does not assume any liability arising out of the use of any part or documentation.

PE-W22PS1001 CAD Drawing

0 to 180 Degree WR-22 Waveguide Phase Shifter, From 33 GHz to 50 GHz, With a UG-383/U Round Cover Flange



UNLESS OTHERWISE SPECIFIED:
 DIMENSIONS ARE IN: inches
 TOLERANCES ARE: [mm]
 .XX ± .10 [± 2.54]
 .XXX ± .005 [± .127]

* THESE DIMENSIONS AND TOLERANCES
 SUPERSEDE NOTE #1 ON TITLE BLOCK.



Pasternack Enterprises, Inc.
 P.O. Box 16759 | Irvine | CA | 92623
 Phone: (949) 261-1920 | Fax: (949) 261-7451
 Website: www.pasternack.com | E-Mail: sales@pasternack.com

DWG TITLE

PE-W22PS1001

FSCM NO. 53919

NOTES:
 1. UNLESS OTHERWISE SPECIFIED ALL DIMENSIONS ARE NOMINAL.
 2. ALL SPECIFICATIONS ARE SUBJECT TO CHANGE WITHOUT NOTICE AT ANY TIME.
 3. DIMENSIONS ARE IN INCHES [mm].

CAD FILE 121815

SCALE N/A

SIZE A

2233