



WR-10 45 Degree Right-hand Waveguide Twist With a UG-387/U-Mod Flange Operating From 75 GHz to 110 GHz

Waveguide Twists Technical Data Sheet

PE-W10TW1003

Features

- WR-10
- 75 to 110 GHz
- UG-387/U-Mod Flange
- 45° Right Hand (Clockwise) Twist
- 1.10:1 Maximum VSWR

Applications

- Instrumentation
- Precision measurements
- Prototyping and characterization
- Production Systems

Description

The PE-W10TW1003 is a 45 degree right hand waveguide twist that is part of a family of precision manufactured twists with round flange per MIL-DTL-85. The family includes right and left hand 45 degree twists as well as 90 degree twists. These twists are offered in the Ka through W waveguide bands (18 to 110 GHz).

Electrical Specifications

Description	Minimum	Typical	Maximum	Units
Frequency Range	75		110	GHz
VSWR			1.1:1	
Insertion Loss			0.75	dB

Electrical Specification Notes:

VSWR measurement is the representation of the load used for testing

Mechanical Specifications

Waveguide Size WR-10
 Section Length 1 in [[25.4 mm]]

Description	Flange 1	Waveguide	Flange 2
Interface	UG-387/U-Mod	WR-10	UG-387/U-Mod
Material	Brass	Brass	Brass
Plating	Gold	Gold	Gold
Color	Gold	Gold	Gold

Environmental Specifications

Compliance Certifications (see [product page](#) for current document)

Plotted and Other Data

Notes:

Click the following link (or enter part number in "SEARCH" on website) to obtain additional part information including price, inventory and certifications: [WR-10 45 Degree Right-hand Waveguide Twist With a UG-387/U-Mod Flange Operating From 75 GHz to 110 GHz PE-W10TW1003](#)

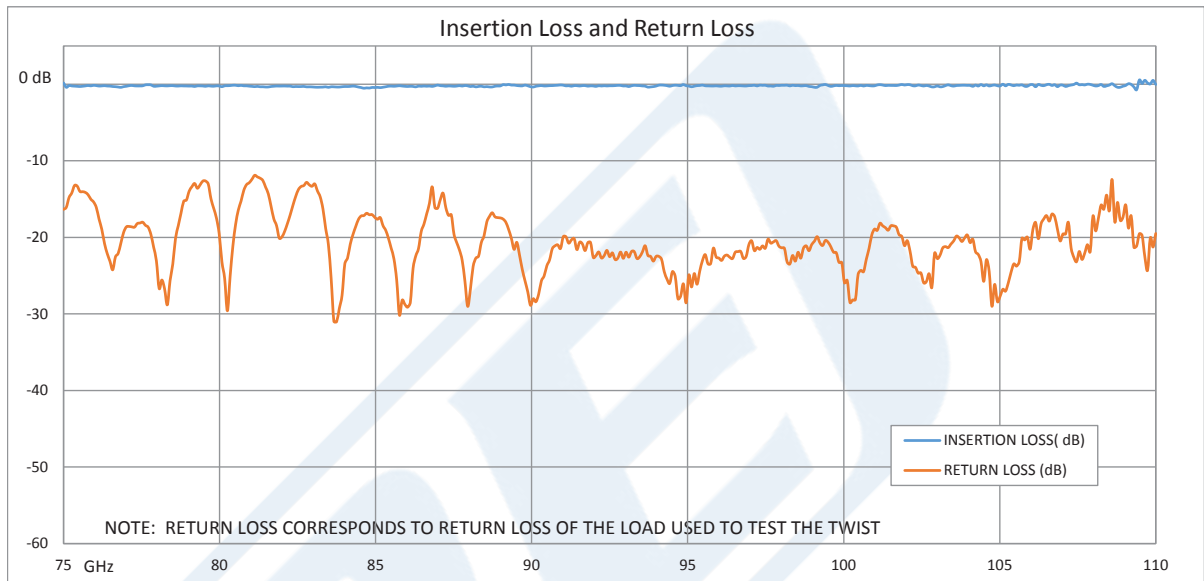


WR-10 45 Degree Right-hand Waveguide Twist With a UG-387/U-Mod Flange Operating From 75 GHz to 110 GHz

Waveguide Twists Technical Data Sheet

PE-W10TW1003

Typical Performance Data



WR-10 45 Degree Right-hand Waveguide Twist With a UG-387/U-Mod Flange Operating From 75 GHz to 110 GHz from Pasternack Enterprises has same day shipment for domestic and International orders. Our RF, microwave and millimeter wave products maintain a 99.4% availability and are part of the broadest selection in the industry.

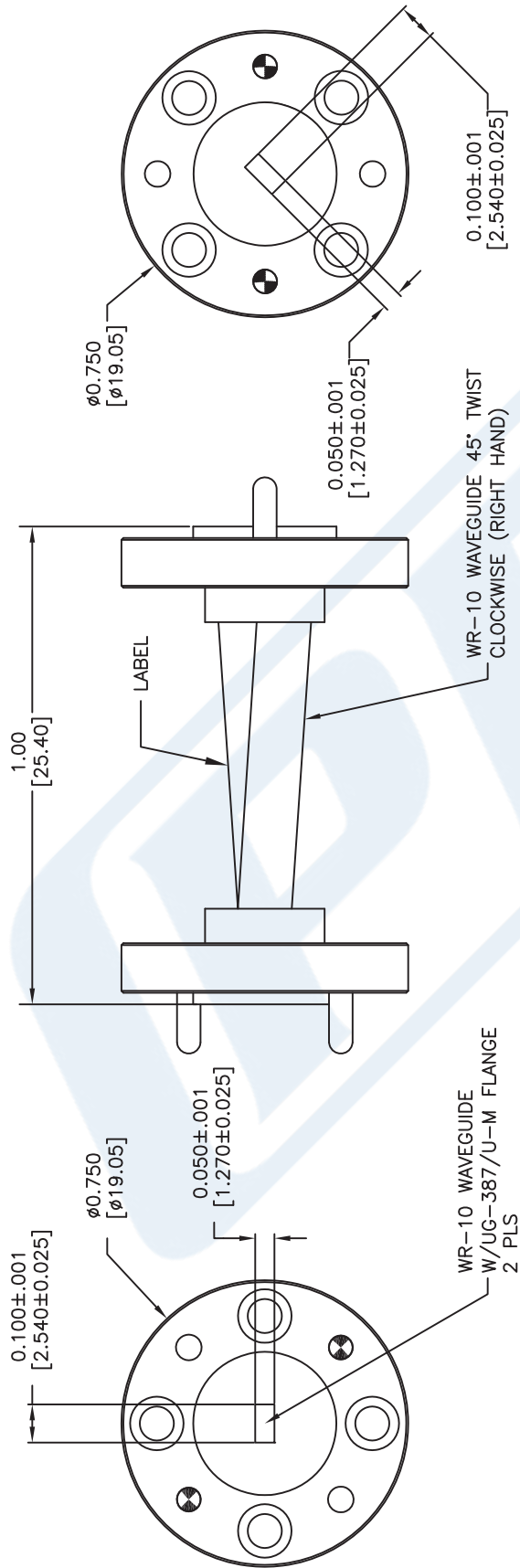
Click the following link (or enter part number in "SEARCH" on website) to obtain additional part information including price, inventory and certifications: [WR-10 45 Degree Right-hand Waveguide Twist With a UG-387/U-Mod Flange Operating From 75 GHz to 110 GHz PE-W10TW1003](https://www.pasternack.com/wr-10-45-waveguide-twist-ug387mod-75-110-ghz-pe-w10tw1003-p.aspx)

URL: <https://www.pasternack.com/wr-10-45-waveguide-twist-ug387mod-75-110-ghz-pe-w10tw1003-p.aspx>

The information contained in this document is accurate to the best of our knowledge and representative of the part described herein. It may be necessary to make modifications to the part and/or the documentation of the part, in order to implement improvements. Pasternack reserves the right to make such changes as required. Unless otherwise stated, all specifications are nominal. Pasternack does not make any representation or warranty regarding the suitability of the part described herein for any particular purpose, and Pasternack does not assume any liability arising out of the use of any part or documentation.

PE-W10TW1003 CAD Drawing

WR-10 45 Degree Right-hand Waveguide Twist With a UG-387/U-Mod Flange Operating From 75 GHz to 110 GHz



UNLESS OTHERWISE SPECIFIED:

DIMENSIONS ARE IN: inches [mm]

TOLERANCES ARE:

.XX ± .10 [± 2.54]

.XXX ± .005 [± .127]

* THESE DIMENSIONS AND TOLERANCES SUPERSEDE NOTE #1 ON TITLE BLOCK.

DWG TITLE

PE-W10TW1003

NOTES:
 1. UNLESS OTHERWISE SPECIFIED ALL DIMENSIONS ARE NOMINAL.
 2. ALL SPECIFICATIONS ARE SUBJECT TO CHANGE WITHOUT NOTICE AT ANY TIME.
 3. DIMENSIONS ARE IN INCHES [mm].

PE PASTERNAK®
 THE ENGINEER'S RF SOURCE
 Pasternack Enterprises, Inc.
 P.O. Box 16759 | Irvine | CA | 92623
 Phone: (949) 261-1920 | Fax: (949) 261-7451
 Website: www.pasternack.com | E-Mail: sales@pasternack.com

FSCM NO. 53919

CAD FILE 011216

SCALE N/A

SIZE A

2233