



Low PIM 10 dB 7/16 DIN Unequal Tapper Optimized For Mobile Networks From 350 MHz to 5.85 GHz Rated to 300 Watts

## RF Tappers Technical Data Sheet

PE-T2007

### Features

- Split Ratios Ranging from 1:3 to 1:1000
- Power Ratings up to 300 Watts
- Low PIM (150dBc) Low VSWR (1.15)
- Rugged Designs available with optional mounting brackets

### Description

Pasternack's Line of High Power Wideband Tappers have been designed to maintain a Split Ratio across all frequencies between 380MHz and 6Ghz. There is minimal Insertion Loss, VSWR, and Low PIM. Mechanically the parts have no solder joints inside the Aluminum Casing and are IP65 / IP67 rated allowing for placement in rugged environments. This setup along with select bands optimization makes them ideal for Mobile Networks Infrastructure.

### Electrical Specifications

Description	Minimum	Typical	Maximum	Units
Frequency Range	0.35		5.85	GHz
Split Ratio		9:1		
Impedance		50		Ohms
Coupling		10		dB
Coupling (C1 - C2)		0.5		dB
Insertion Loss			0.17	dB
Passive Intermodulation		-160		dBc
Input Power (CW)			300	Watts
Input Power (Peak)			3	KWatts

Click the following link (or enter part number in "SEARCH" on website) to obtain additional part information including price, inventory and certifications: [Low PIM 10 dB 7/16 DIN Unequal Tapper Optimized For Mobile Networks From 350 MHz to 5.85 GHz Rated to 300 Watts PE-T2007](#)



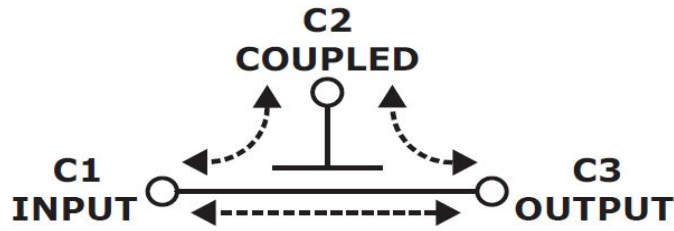
Low PIM 10 dB 7/16 DIN Unequal Tapper Optimized For Mobile Networks From 350 MHz to 5.85 GHz Rated to 300 Watts

RF Tappers Technical Data Sheet

PE-T2007

Performance by Frequency

Description	F1	F2	F3	F4	F5
Frequency Range	350 - 520	698 - 960	1710 - 2700	3500-4500	4900 - 5850
Coupling (Tested)	10.1 ± 0.4		10.4 ± 0.7		
Nominal Coupling	10.1			9	11.1
Maximum Return Loss		-20.8	-20.8		
Typical Return Loss	-17.7			-17.7	-17.7



Mechanical Specifications

Size

Length	6.48 in [164.59 mm]
Width	1 in [25.4 mm]
Height	2.23 in [56.64 mm]

Housing Material and Plating

Passivated Aluminum

Configuration

Input Connector	7/16 DIN Female
Output Connector	7/16 DIN Female
Coupled Connector	7/16 DIN Female

Environmental Specifications

Humidity	IP67
----------	------

Click the following link (or enter part number in "SEARCH" on website) to obtain additional part information including price, inventory and certifications: [Low PIM 10 dB 7/16 DIN Unequal Tapper Optimized For Mobile Networks From 350 MHz to 5.85 GHz Rated to 300 Watts PE-T2007](#)



## Low PIM 10 dB 7/16 DIN Unequal Tapper Optimized For Mobile Networks From 350 MHz to 5.85 GHz Rated to 300 Watts

### RF Tappers Technical Data Sheet

PE-T2007

**Compliance Certifications** (see [product page](#) for current document)

#### Plotted and Other Data

Notes:

Low PIM 10 dB 7/16 DIN Unequal Tapper Optimized For Mobile Networks From 350 MHz to 5.85 GHz Rated to 300 Watts from Pasternack Enterprises has same day shipment for domestic and International orders. Our RF, microwave and millimeter wave products maintain a 99.4% availability and are part of the broadest selection in the industry.

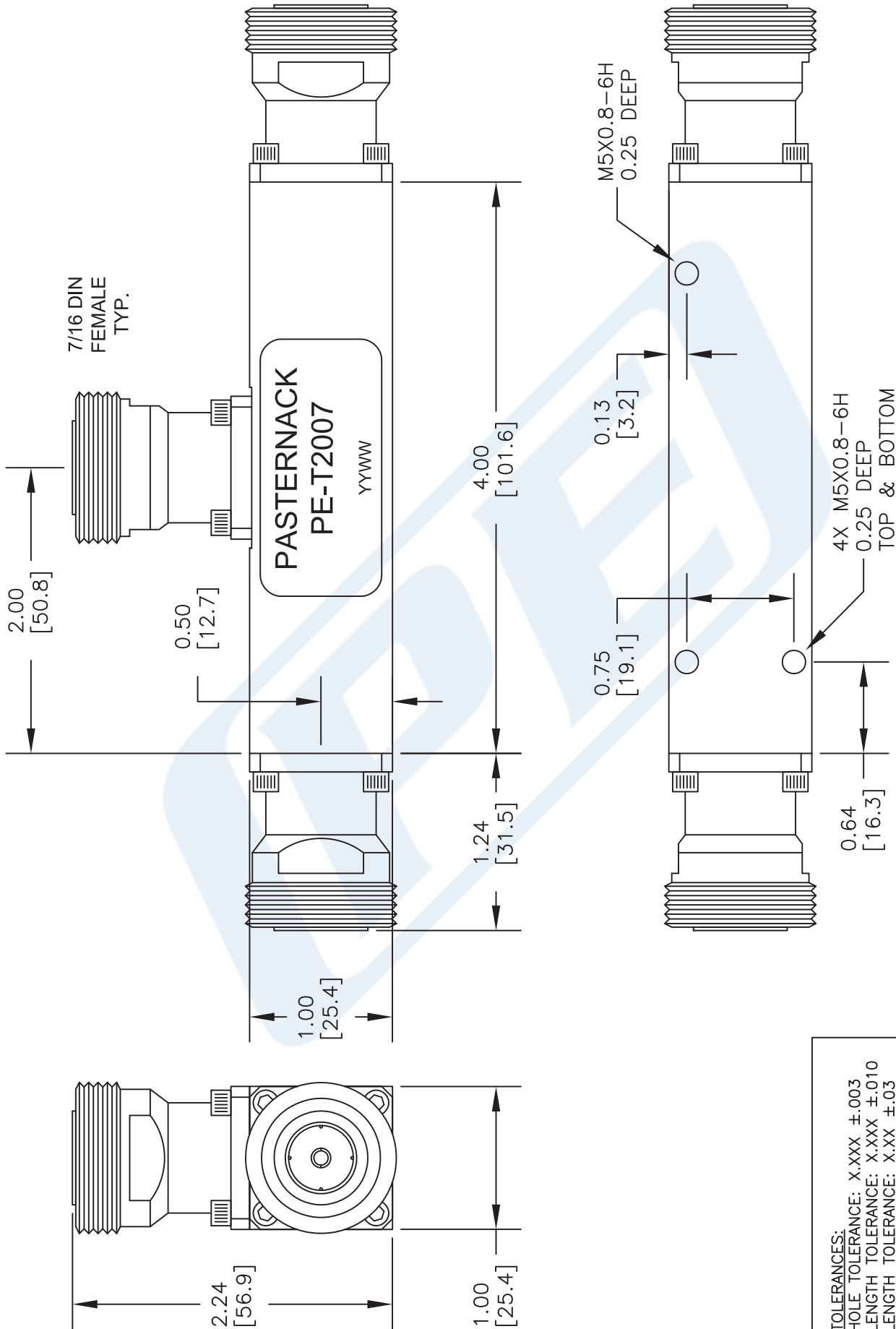
Click the following link (or enter part number in "SEARCH" on website) to obtain additional part information including price, inventory and certifications: [Low PIM 10 dB 7/16 DIN Unequal Tapper Optimized For Mobile Networks From 350 MHz to 5.85 GHz Rated to 300 Watts PE-T2007](#)

URL: <https://www.pasternack.com/low-loss-10db-7-16-unequaltapper-380-mhz-6-ghz-300watts-pe-t2007-p.aspx>

The information contained in this document is accurate to the best of our knowledge and representative of the part described herein. It may be necessary to make modifications to the part and/or the documentation of the part, in order to implement improvements. Pasternack reserves the right to make such changes as required. Unless otherwise stated, all specifications are nominal. Pasternack does not make any representation or warranty regarding the suitability of the part described herein for any particular purpose, and Pasternack does not assume any liability arising out of the use of any part or documentation.

# PE-T2007 CAD Drawing

Low PIM 10 dB 7/16 DIN Unequal Tapper Optimized For Mobile Networks From 350 MHz to 5.85 GHz Rated to 300 Watts



**TOLERANCES:**  
 HOLE TOLERANCE: X.XXX ±.003  
 LENGTH TOLERANCE: X.XXX ±.010  
 LENGTH TOLERANCE: X.XX ±.03

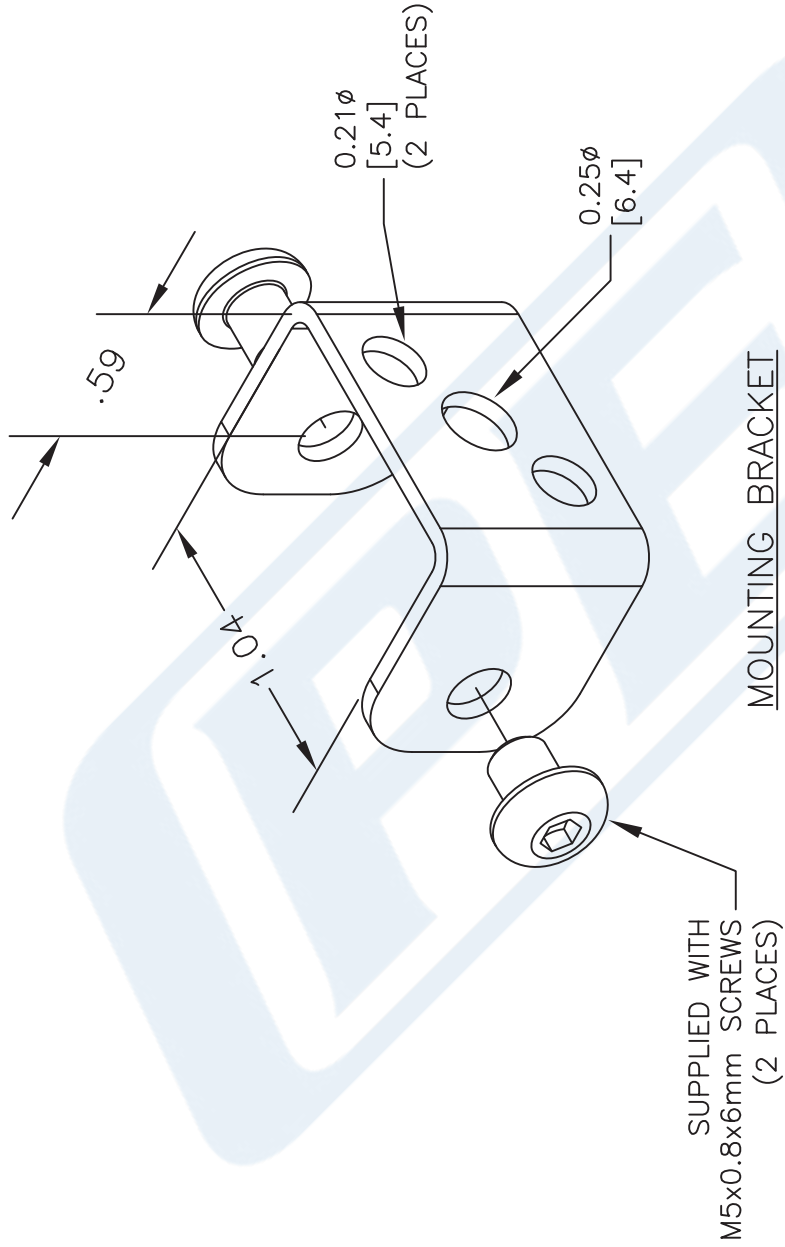
**NOTES:**  
 1. UNLESS OTHERWISE SPECIFIED ALL DIMENSIONS ARE NOMINAL.  
 2. ALL SPECIFICATIONS ARE SUBJECT TO CHANGE WITHOUT NOTICE AT ANY TIME.  
 3. DIMENSIONS ARE IN INCHES [mm].

DWG TITLE  
**PE-T2007**  
 CAGE CODE 53919  
 CAD FILE 121516  
 SCALE N/A  
 SIZE A  
 2233

**(PE) PASTERNAK®**  
 THE ENGINEER'S RF SOURCE  
 Pasternack Enterprises, Inc.  
 P.O. Box 16759 | Irvine | CA | 92623  
 Phone: (949) 261-1920 | Fax: (949) 261-7451  
 Website: www.pasternack.com | E-Mail: sales@pasternack.com

# PE-T2007 CAD Drawing

Low PIM 10 dB 7/16 DIN Unequal Tapper Optimized For Mobile Networks From 350 MHz to 5.85 GHz Rated to 300 Watts



**TOLERANCES:**  
 HOLE TOLERANCE: X.XXX ±.003  
 LENGTH TOLERANCE: X.XXX ±.010  
 LENGTH TOLERANCE: X.XX ±.03

**NOTES:**  
 1. UNLESS OTHERWISE SPECIFIED ALL DIMENSIONS ARE NOMINAL.  
 2. ALL SPECIFICATIONS ARE SUBJECT TO CHANGE WITHOUT NOTICE AT ANY TIME.  
 3. DIMENSIONS ARE IN INCHES [mm].

DWG TITLE  
**PE-T2007**

CAGE CODE **53919**

SCALE N/A  
 SIZE A  
 2233

**PE PASTERNAK**  
 THE ENGINEER'S RF SOURCE  
 Pasternack Enterprises, Inc.  
 P.O. Box 16759 | Irvine | CA | 92623  
 Phone: (949) 261-1920 | Fax: (949) 261-7451  
 Website: www.pasternack.com | E-Mail: sales@pasternack.com