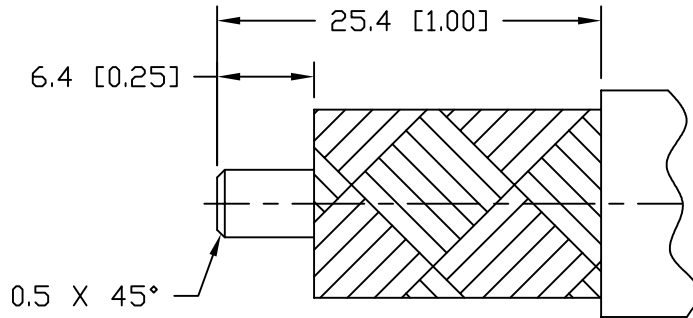
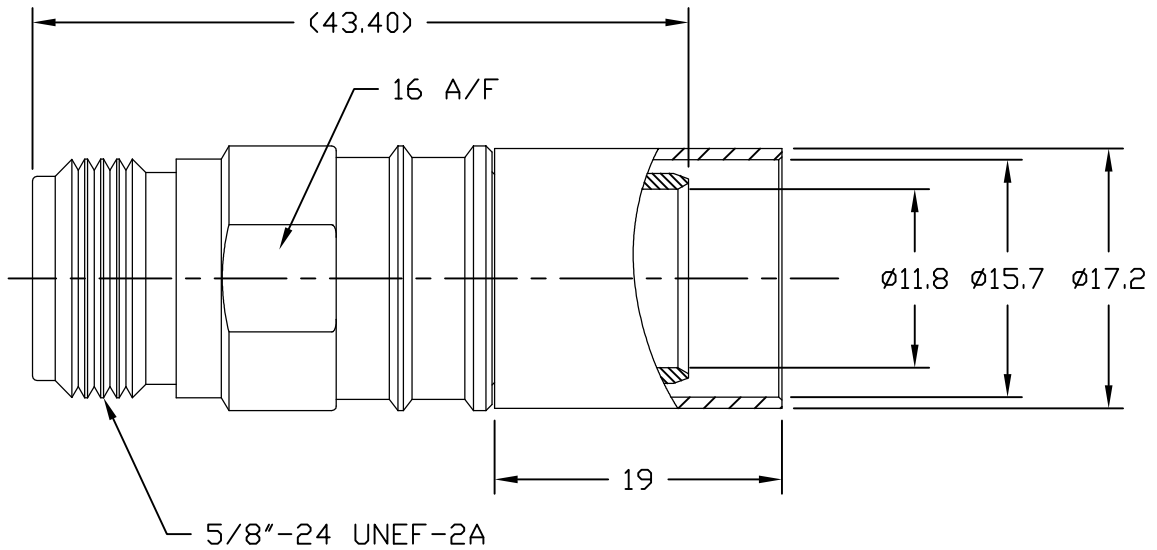


**NOTICE OF PROPRIETARY RIGHTS** THIS DOCUMENT CONTAINS CONFIDENTIAL TECHNICAL DATA, INCLUDING TRADE SECRETS, PROPRIETARY TO TIMES MICROWAVE SYSTEMS. DISCLOSURE OF THIS DATA IS EXPRESSLY CONDITIONED UPON YOUR ASSENT THAT ITS USE IS LIMITED TO USE WITHIN YOUR COMPANY ONLY. ANY OTHER USE IS STRICTLY PROHIBITED WITHOUT THE PRIOR WRITTEN CONSENT OF TIMES MICROWAVE SYSTEMS.

| SYM | REVISION DESCRIPTION    | DFTM     | DATE     | APPD     | DATE     |
|-----|-------------------------|----------|----------|----------|----------|
| A   | RELEASED FOR PRODUCTION | D. J. H. | 12/12/12 | J. D. B. | 12/12/12 |



CABLE PREP.  
USE CST-600  
(3192-052)  
.610" HEX.



Reference Standard IEC60169-16

I. Electric Performance

Nominal Impedance( $\Omega$ ): 50  
 Frequency Range: DC-6GHz  
 VSWR:  $\leq 1.30$   
 Insert Loss(dB):  $\leq 0.1(0-3\text{GHz})$   
 Insulation resistance(M $\Omega$ ):  $\geq 5000$   
 Proof Voltage(V): 2500  
 Conductor resistance(m $\Omega$ ): outer conductor <0.4  
 inner conductor <0.8

II. Mechanical Performance

Retention:  $\geq 0.56\text{N}$   
 Mechanical Wear(hypo-): 500  
 Tensile force(cable-connector): 500N  
 Torsion(cable-connector): 5N.m

III. Material and plating

| Component       | Material      | Plating   |
|-----------------|---------------|---|
| Inner conductor | Spring Bronze | Au 1.27 $\mu\text{m}$ over Chemistry Nickel 3 $\mu\text{m}$ |
| Outer conductor | Brass         | Copper-tin-zinc 2 $\mu\text{m}$                             |
| Tube            | Copper        | Copper-tin-zinc 2 $\mu\text{m}$                             |
| Insulator       | PTFE          |   |

IV. Environment

Temp. range: -55 $^{\circ}\text{C}$ ~+155 $^{\circ}\text{C}$   
 Weather standard: IEC 60068 55 / 155/ 56  
 Thermal shock: US MIL-STD 202, Meth.107, Cond.B  
 Vibration: US MIL-STD 202, Meth.204, Cond.B  
 Shock: US MIL-STD 202, Meth.213, Cond.I

V. Assembly: inner conductor installed and outer conductor crimped

|                      |  |                |  |
|----------------------|--|----------------|--|
| MATERIAL:            | UNLESS OTHERWISE SPECIFIED<br>ALL DIMENSIONS ARE IN mm<br>MACHINED SURFACES FINISH N/A RMS MAX.<br>REMOVE ALL BURRS N/A MAX. BREAK<br>MACHINE CORNERS N/A MAX. FILLET R.<br>TOLERANCES ON DECIMALS<br>.XX $\pm$ N/A .XXX $\pm$ N/A<br>ANGLES $\pm 1^{\circ}$ FRACTIONS $\pm$ N/A | DFTM: D. J. H. | TIMES MICROWAVE SYSTEMS  |
|                      |  | DATE: 12/12/12 |  |
| USED ON: O-O         |  | CHKD: J. D. B. | <b>EZ-600-NF-X</b><br>N FEMALE FOR LMR-600 CABLE<br>EZ/CRIMP/NO BRAID TRIM |
|                      |  | DATE: 12/12/12 |  |
| SCALE: N/A           | DWG. SIZE: A   | APPD: J. D. B. | SHEET: 1 of 1  |
|                      |  | DATE: 12/12/12 |  |
| DO NOT SCALE DRAWING | CODE IDENT: 68999  | DATE: 12/12/12 | REV: A   |